

# LED Cabinet Light Strip

## Model : CBL-P

### Features:

- \* Slim size 10mm(W)x13mm(H)
- \* Exceptional even illumination ( LED spot not seen)
- \* 270 degree ( 3 - sectional) lighting output
- \* Ideal for both direct or indirect light effect
- \* Minimum cutting width < 3mm
- \* Thermal conductive plastic to maximize heat dissipation
- \* Installation in serial for seamless lighting output
- \* SPM Design - power circuit protection to cut off individual LEDs when mal-functoned.
- \* CRI > 93
- \* High lumen output 100lm/w
- \* Other options : dimmable & color temperature change

### Application:

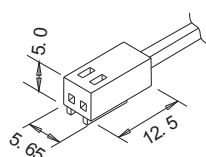
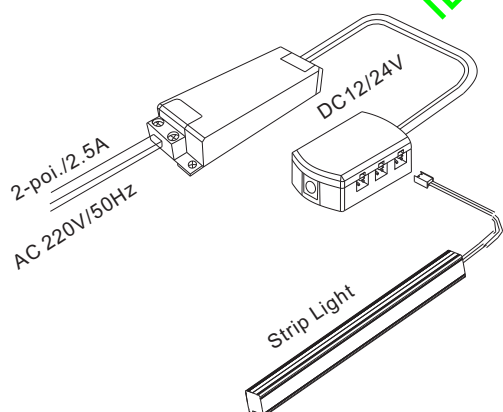
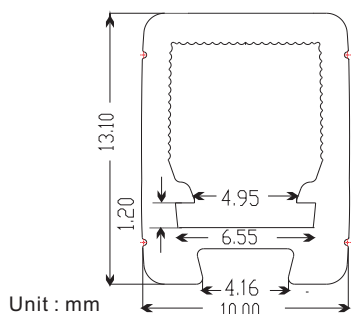
- \* Kitchen cabinet
- \* Bathroom cabinet
- \* Closet
- \* Show cabinet
- \* Retail chop
- \* & many other applications as appropriate



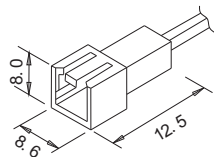
Model:CBL-P

### Standard

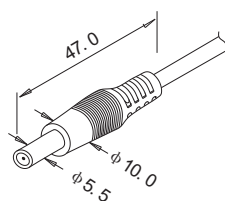
Standard Dim (mm)	10mm(W)*13mm(H) *1000mm(L) (Length will be varied to suit cabinet size)
Material	Thermal Conductive Plastic
Power(W)	8W / M
Voltage(V)	DC12V / 24V
Luminous Output	100 lm/W
Beam Angle	270° degree
LED Type	2216 Taiwan Top Grade
Color Temp	2700K~6500K
CRI	≥93
IP Grade	IP54
Life Span	40000 hours
EMC	EN55015:2006+A1:2007+A2:2009 EN61547:2009



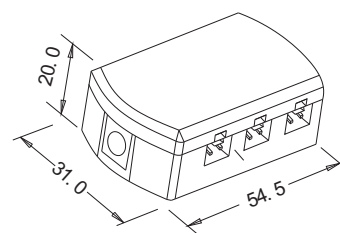
male plug



female socket



DC male plug



6-way distributor

iLighting Global Enterprise Co Ltd

# LED Cabinet Light Strip

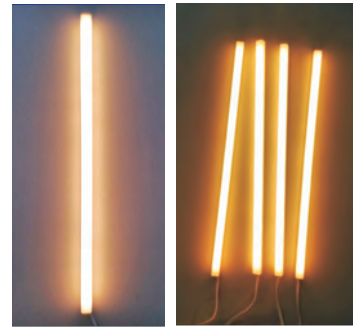
## Model : CBL-P1010-S1012-109A

### Features:

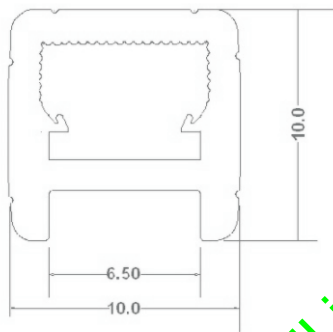
- \* Slim size 13mm(H)x10mm(W)
- \* Exceptional even illumination ( LED spot not seen)
- \* 270 degree ( 3 - sectional) lighting output
- \* Ideal for both direct or indirect light effect
- \* Minimum cutting width < 3mm
- \* Thermal conductive plastic to maximize heat dissipation
- \* Installation in serial for seamless lighting output
- \* SPM Design - power circuit protection to cut off individual LEDs when mal-functoned.
- \* CRI > 93
- \* High lumen output 100lm/w
- \* Other options : dimmable & color temperature change

### Application:

- \* Kitchen cabinet
- \* Bathroom cabinet
- \* Closet
- \* Show cabinet
- \* Retail chop
- \* & many other applications as appropriate

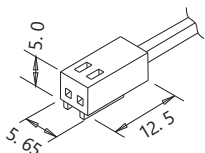
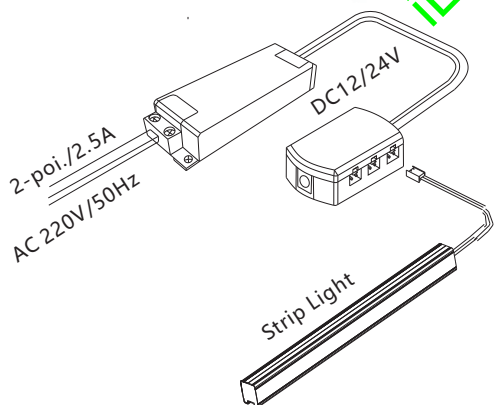


Model : CBL-P1010-S1012-109A

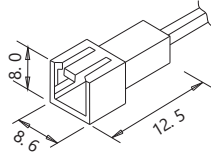


### Standard

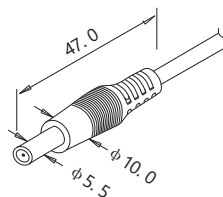
Standard Dim (mm)	10mm(H)*10mm(W) *1000mm(L) (Length will be varied to suit cabinet size)
Material	Thermal Conductive Plastic
Power(W)	12W in 1m
Voltage(V)	DC12V / 24V
Luminous Output	100 lm/W
Beam Angle	270° degree
LED Type	2216 Taiwan Top Grade
Color Temp	2700K~6500K
CRI	≥93
IP Grade	IP54
Life Span	40000 hours
EMC	EN55015:2006+A1:2007+A2:2009 EN61547:2009



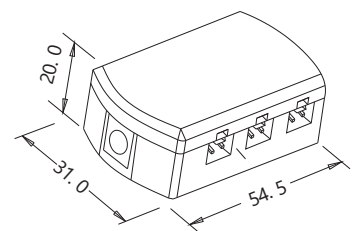
Description: male plug



Description: female socket



Description: DC male plug



Description: 6-way distributor

# LED Cabinet Light Strip

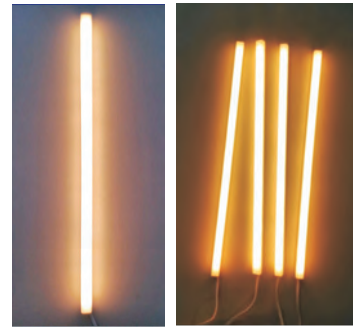
## Model : CBL-P1010-S1210-109A

### Features:

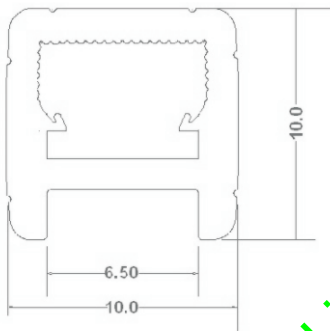
- \* Slim size 13mm(H)x10mm(W)
- \* Exceptional even illumination ( LED spot not seen)
- \* 270 degree ( 3 - sectional) lighting output
- \* Ideal for both direct or indirect light effect
- \* Minimum cutting width < 3mm
- \* Thermal conductive plastic to maximize heat dissipation
- \* Installation in serial for seamless lighting output
- \* SPM Design - power circuit protection to cut off individual LEDs when mal-functoned.
- \* CRI > 93
- \* High lumen output 100lm/w
- \* Other options : dimmable & color temperature change

### Application:

- \* Kitchen cabinet
- \* Bathroom cabinet
- \* Closet
- \* Show cabinet
- \* Retail chop
- \* & many other applications as appropriate

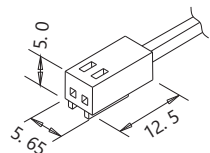
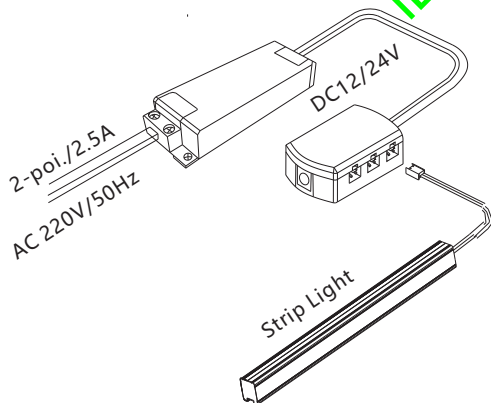


Model : CBL-P1010-S1210-109A

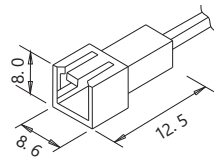


### Standard

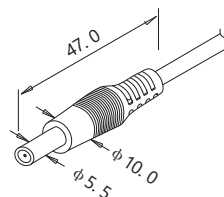
Standard Dim (mm)	13mm(H)*10mm(W) *1200mm(L) (Length will be varied to suit cabinet size)
Material	Thermal Conductive Plastic
Power(W)	10W in 1.2m
Voltage(V)	DC12V / 24V
Luminous Output	100 lm/W
Beam Angle	270° degree
LED Type	2216 Taiwan Top Grade
Color Temp	2700K~6500K
CRI	≥93
IP Grade	IP54
Life Span	40000 hours
EMC	EN55015:2006+A1:2007+A2:2009 EN61547:2009



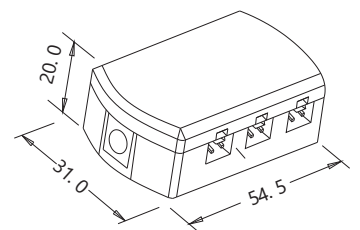
Description: male plug



Description: female socket



Description: DC male plug



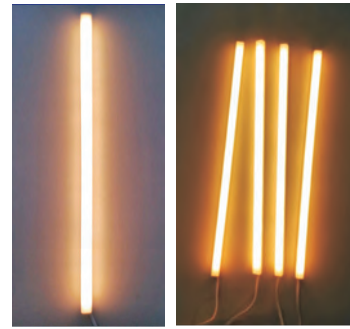
Description: 6-way distributor

# LED Cabinet Light Strip

**Model : CBL-P1013-S1010-109A**

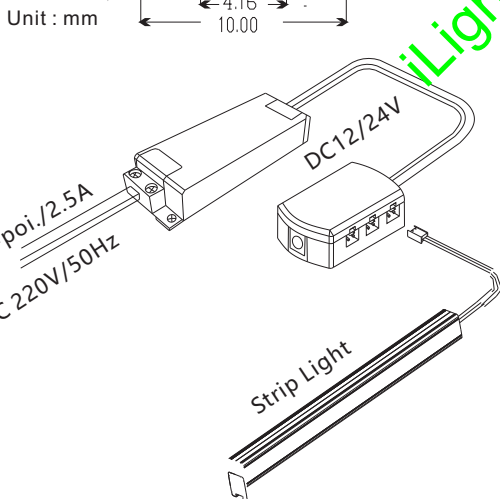
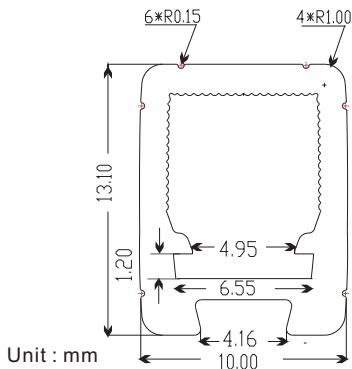
**Features:**

- \* Slim size 13mm(H)x10mm(W)
- \* Exceptional even illumination ( LED spot not seen)
- \* 270 degree ( 3 - sectional) lighting output
- \* Ideal for both direct or indirect light effect
- \* Minimum cutting width < 3mm
- \* Thermal conductive plastic to maximize heat dissipation
- \* Installation in serial for seamless lighting output
- \* SPM Design - power circuit protection to cut off individual LEDs when mal-functoned.
- \* CRI > 93
- \* High lumen output 100lm/w
- \* Other options : dimmable & color temperature change



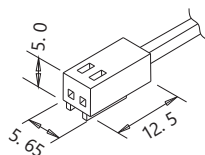
**Application:**

- \* Kitchen cabinet
- \* Bathroom cabinet
- \* Closet
- \* Show cabinet
- \* Retail chop
- \* & many other applications as appropriate

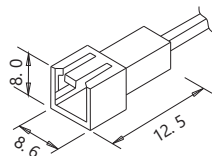


**Standard**

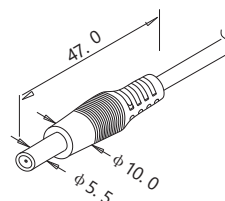
Standard Dim (mm)	13mm(H)*10mm(W) *1000mm(L) (Length will be varied to suit cabinet size)
Material	Thermal Conductive Plastic
Power(W)	10W in 1.2m
Voltage(V)	DC12V / 24V
Luminous Output	100 lm/W
Beam Angle	270° degree
LED Type	2216 Taiwan Top Grade
Color Temp	2700K~6500K
CRI	≥93
IP Grade	IP54
Life Span	40000 hours
EMC	EN55015:2006+A1:2007+A2:2009 EN61547:2009



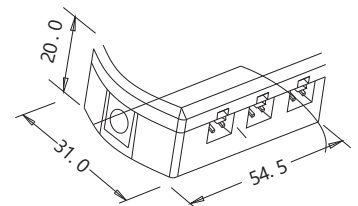
Description: male plug



Description: female socket



Description: DC male plug



Description: 6-way distributor

# LED Cabinet Light Strip

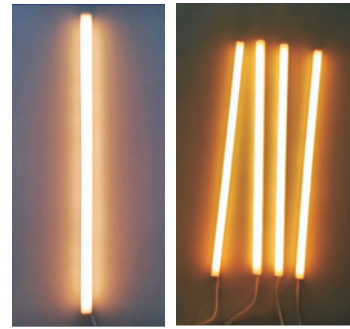
**Model : CBL-P1013-S1210-109A**

**Features:**

- \* Slim size 13mm(H)x10mm(W)
- \* Exceptional even illumination ( LED spot not seen)
- \* 270 degree ( 3 - sectional) lighting output
- \* Ideal for both direct or indirect light effect
- \* Minimum cutting width < 3mm
- \* Thermal conductive plastic to maximize heat dissipation
- \* Installation in serial for seamless lighting output
- \* SPM Design - power circuit protection to cut off individual LEDs when mal-functoned.
- \* CRI > 93
- \* High lumen output 100lm/w
- \* Other options : dimmable & color temperature change

**Application:**

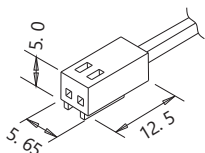
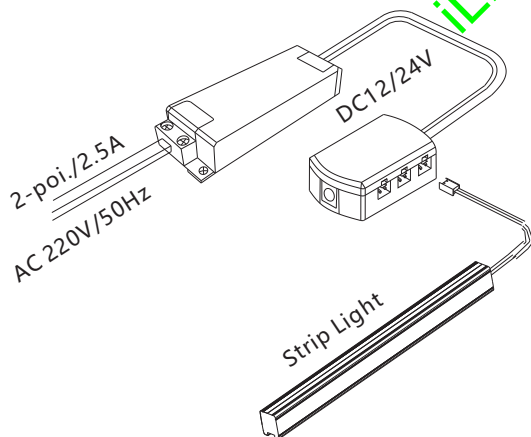
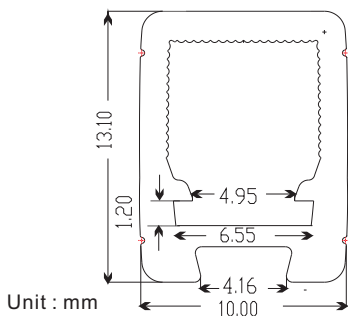
- \* Kitchen cabinet
- \* Bathroom cabinet
- \* Closet
- \* Show cabinet
- \* Retail chop
- \* & many other applications as appropriate



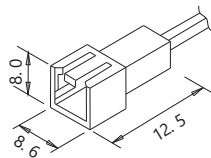
Model : CBL-P1013-S1210-109A

**Standard**

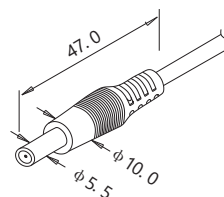
Standard Dim (mm)	13mm(H)*10mm(W) *1200mm(L) (Length will be varied to suit cabinet size)
Material	Thermal Conductive Plastic
Power(W)	10W in 1.2m
Voltage(V)	DC12V / 24V
Luminous Output	100 lm/W
Beam Angle	270° degree
LED Type	2216 Taiwan Top Grade
Color Temp	2700K~6500K
CRI	≥93
IP Grade	IP54
Life Span	40000 hours
EMC	EN55015:2006+A1:2007+A2:2009 EN61547:2009



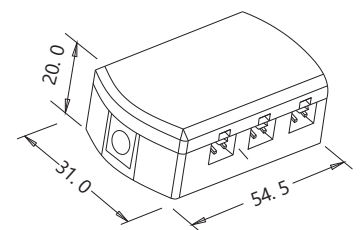
Description: male plug



Description: female socket



Description: DC male plug



Description: 6-way distributor

# LED Cabinet Light Strip

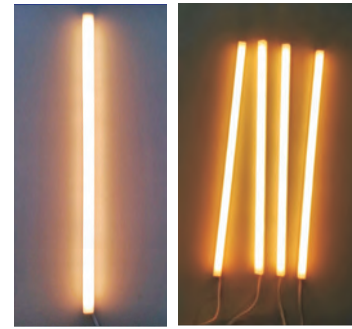
**Model : CBL-P1117-S1010-109A**

**Features:**

- \* Slim size 13mm(H)x10mm(W)
- \* Exceptional even illumination ( LED spot not seen)
- \* 270 degree ( 3 - sectional) lighting output
- \* Ideal for both direct or indirect light effect
- \* Minimum cutting width < 3mm
- \* Thermal conductive plastic to maximize heat dissipation
- \* Installation in serial for seamless lighting output
- \* SPM Design - power circuit protection to cut off individual LEDs when mal-functoned.
- \* CRI > 93
- \* High lumen output 100lm/w
- \* Other options : dimmable & color temperature change

**Application:**

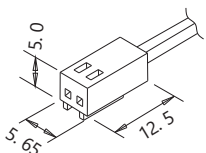
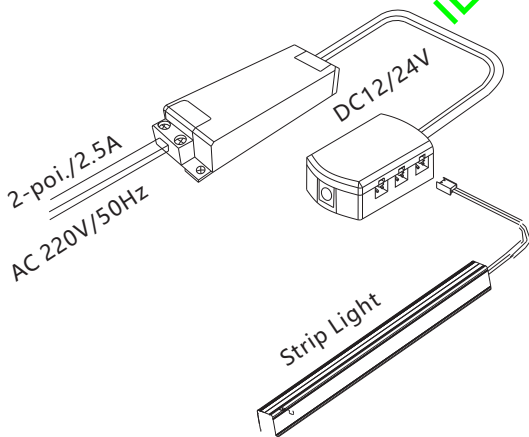
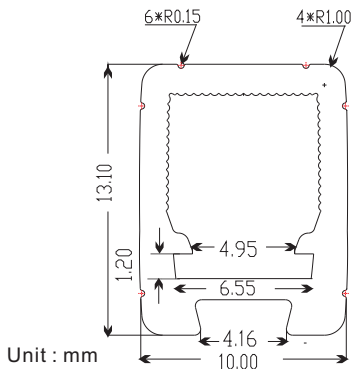
- \* Kitchen cabinet
- \* Bathroom cabinet
- \* Closet
- \* Show cabinet
- \* Retail chop
- \* & many other applications as appropriate



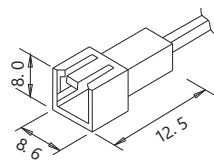
Model: CBL-P1117-S1010-109A

**Standard**

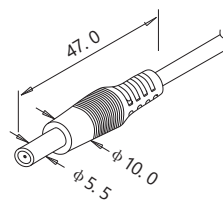
Standard Dim (mm)	13mm(H)*10mm(W) *1000mm(L) (Length will be varied to suit cabinet size)
Material	Thermal Conductive Plastic
Power(W)	10W in 1.2m
Voltage(V)	DC12V / 24V
Luminous Output	100 lm/W
Beam Angle	270° degree
LED Type	2216 Taiwan Top Grade
Color Temp	2700K~6500K
CRI	≥93
IP Grade	IP54
Life Span	40000 hours
EMC	EN55015:2006+A1:2007+A2:2009 EN61547:2009



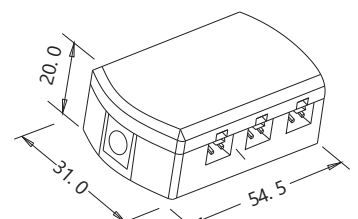
Description: male plug



Description: female socket



Description: DC male plug



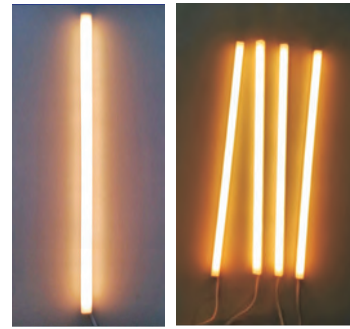
Description: 6-way distributor

# LED Cabinet Light Strip

**Model : CBL-P1117-S1210-109A**

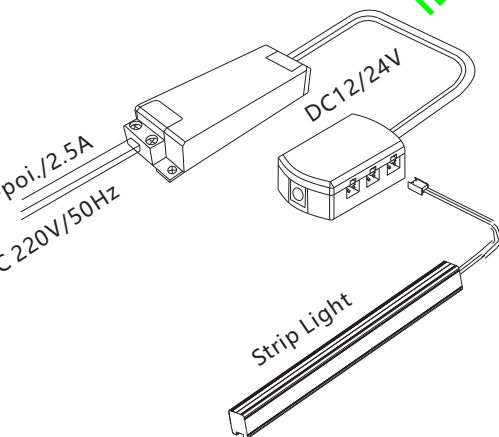
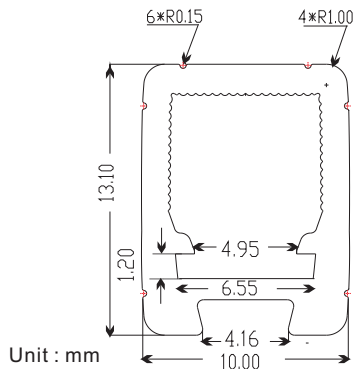
**Features:**

- \* Slim size 13mm(H)x10mm(W)
- \* Exceptional even illumination ( LED spot not seen)
- \* 270 degree ( 3 - sectional) lighting output
- \* Ideal for both direct or indirect light effect
- \* Minimum cutting width < 3mm
- \* Thermal conductive plastic to maximize heat dissipation
- \* Installation in serial for seamless lighting output
- \* SPM Design - power circuit protection to cut off individual LEDs when mal-functoned.
- \* CRI > 93
- \* High lumen output 100lm/w
- \* Other options : dimmable & color temperature change



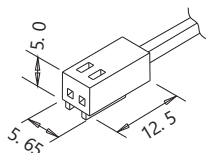
**Application:**

- \* Kitchen cabinet
- \* Bathroom cabinet
- \* Closet
- \* Show cabinet
- \* Retail chop
- \* & many other applications as appropriate

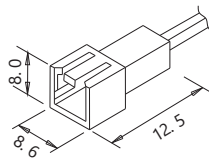


**Standard**

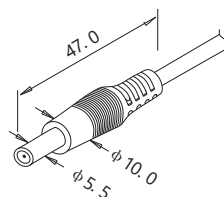
Standard Dim (mm)	13mm(H)*10mm(W) *1200mm(L) (Length will be varied to suit cabinet size)
Material	Thermal Conductive Plastic
Power(W)	10W in 1.2m
Voltage(V)	DC12V / 24V
Luminous Output	100 lm/W
Beam Angle	270° degree
LED Type	2216 Taiwan Top Grade
Color Temp	2700K~6500K
CRI	≥93
IP Grade	IP54
Life Span	40000 hours
EMC	EN55015:2006+A1:2007+A2:2009 EN61547:2009



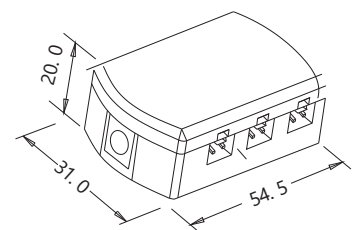
Description: male plug



Description: female socket



Description: DC male plug



Description: 6-way distributor



## Model :CBL-A

### Description

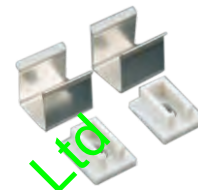
- 1.PC cover : opal, diffuse or transparent
- 2.Frame surface : silver/ white/ black
- 3.Apply : LED strips or PCB 5mm
- 4.Standard lengths:0.5m,1m,1.5m,2m, 2.45m
- 5.SPM Design - power circuit protection to cut off individual LEDs when mal-functioned.
6. Other options : dimmable & color temperature change



Model :CBL-A

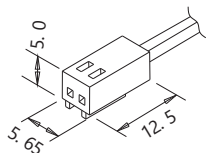
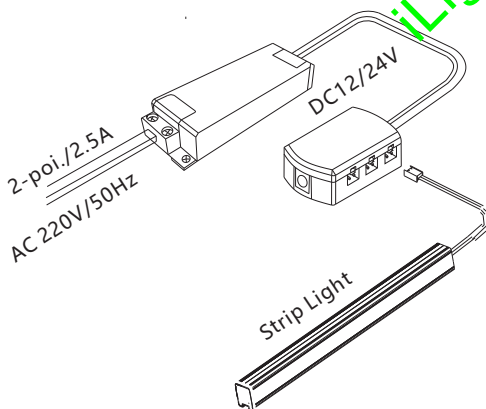
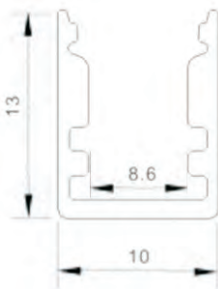
### Application:

- \* Kitchen cabinet
- \* Bathroom cabinet
- \* Closet
- \* Show cabinet
- \* Retail shop

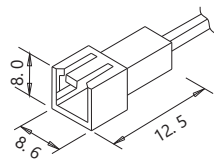


### Standard

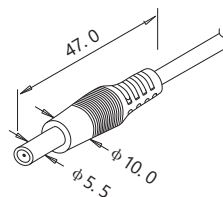
Size	10mm(W)*13mm(H)*1000mm(L)
Material	AL6063+PC
Power	9W/M
Voltage(V)	DC12V/24V
Luminous Efficacy	100lm/W
LED Type	Taiwan origin
Color Temp	2700K~6500K
CRI	> 0.93
IP Rating	IP 44
Life Time	50,000(H)
EMC	EN55015:2006+A1:2007+A2:2009 EN61547:2009



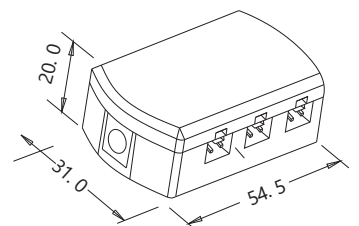
Description: male plug



Description: female socket



Description: DC male plug



Description: 6-way distributor

## Model :CBL-A1013-S1000-109F

### Description

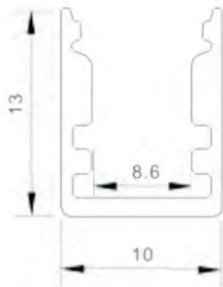
- 1.PC cover : opal, diffuse or transparent
- 2.Frame surface : silver/ white/ black
- 3.Apply : LED strips or PCB 5mm
- 4.Standard lengths:0.5m,1m,1.5m,2m, 2.45m
- 5.SPM Design - power circuit protection to cut off individual LEDs when mal-functioned.
6. Other options : dimmable & color temperature change



Model :CBL-A1013-S1000-109F

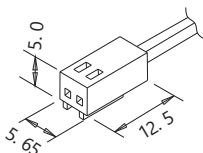
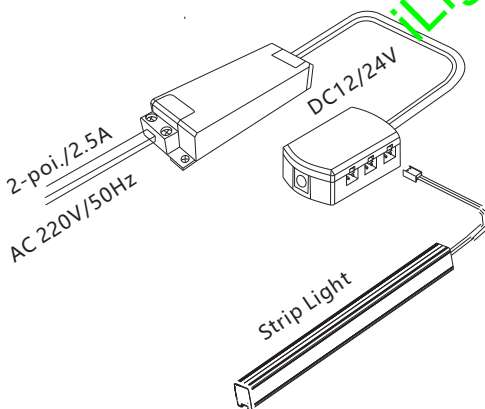
### Application:

- \* Kitchen cabinet
- \* Bathroom cabinet
- \* Closet
- \* Show cabinet
- \* Retail shop

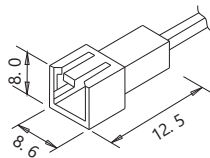


### Standard

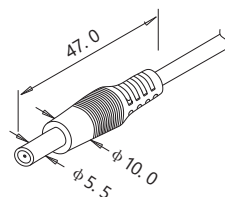
Size	10mm(W)*13mm(H)*1000mm(L)
Material	AL6063+PC
Power	9W/M
Voltage(V)	DC12V/24V
Luminous Efficacy	100lm/W
LED Type	Taiwan origin
Color Temp	2700K~6500K
CRI	> 0.93
IP Rating	IP 44
Life Time	50,000(H)
EMC	EN55015:2006+A1:2007+A2:2009 EN61547:2009



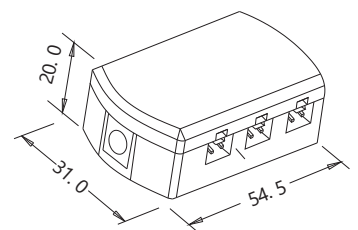
Description: male plug



Description: female socket



Description: DC male plug



Description: 6-way distributor

## Model :CBL-A0809-S1000-109F

### Description

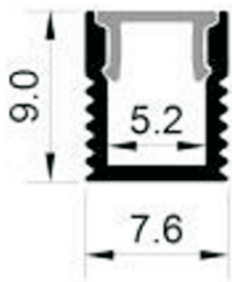
- 1.PC cover : opal, diffuse or transparent
- 2.Frame surface : silver/ white/ black
- 3.Apply : LED strips or PCB 5mm
- 4.Standard lengths:0.5m,1m,1.5m,2m, 2.45m
- 5.SPM Design - power circuit protection to cut off individual LEDs when mal-functioned.
6. Other options : dimmable & color temperature change



### Application:

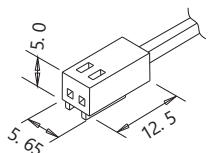
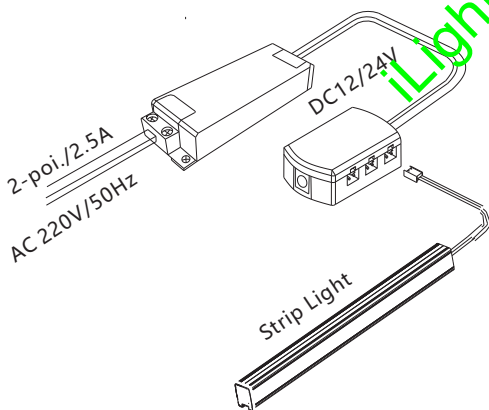
- \* Kitchen cabinet
- \* Bathroom cabinet
- \* Closet
- \* Show cabinet

Model : CBL-A0809-S1010-109F

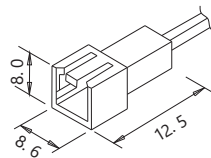


### Standard

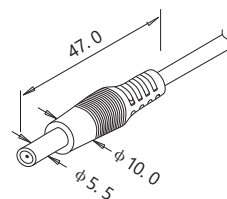
Size	7.6mm(W)*9mm(H)*1000mm(L)
Material	AL6063+PC
Power	8W/M
Voltage(V)	DC12V/24V
Luminous Efficacy	100lm/W
LED Type	Taiwan origin
Color Temp	2700K~6500K
CRI	> 0.93
IP Rating	IP 44
Life Time	50,000(H)
EMC	EN55015:2006+A1:2007+A2:2009 EN61547:2009



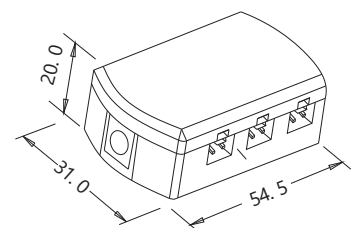
Description: male plug



Description: female socket



Description: DC male plug



Description: 6-way distributor

# LED Cabinet Light Strip

## Model :CBL-A1013-S1010-109F

### Description

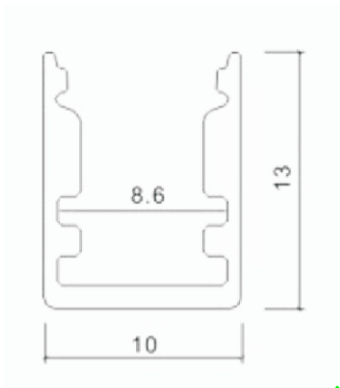
- 1.PC cover : opal, diffuse or transparent
- 2.Frame surface : silver/ white/ black
- 3.Apply : LED strips or PCB 5mm
- 4.Standard lengths:0.5m,1m,1.5m,2m, 2.45m
- 5.SPM Design - power circuit protection to cut off individual LEDs when mal-functioned.
6. Other options : dimmable & color temperature change



### Application:

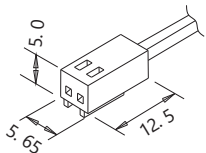
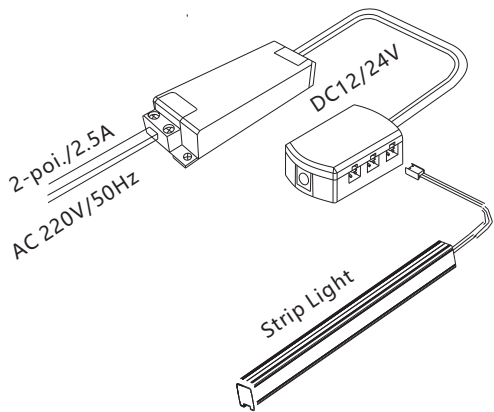
- \* Kitchen cabinet
- \* Bathroom cabinet
- \* Closet
- \* Show cabinet

Model : CBL-A1013-S1010-109F

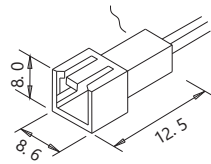


### Standard

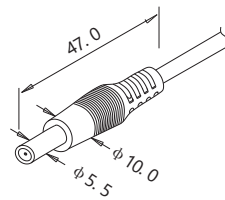
Size	10mm(W)*13mm(H)*1000mm(L)
Material	AL6063+PC
Power	10W/M
Voltage(V)	DC12V/24V
Luminous Efficacy	100lm/W
LED Type	Taiwan origin
Color Temp	2700K~6500K
CRI	> 0.90
IP Rating	IP 44
Life Time	50,000(H)
EMC	EN55015:2006+A1:2007+A2:2009 EN61547:2009



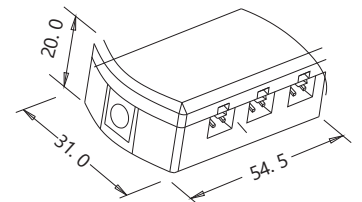
Description: male plug



Description: female socket



Description: DC male plug



Description: 6-way distributor

# LED Cabinet Light Strip

## Model :CBL-A1510-S1010-109F

### Description

- 1.PC cover : opal, diffuse or transparent
- 2.Frame surface : silver/ white/ black
- 3.Apply : LED strips or PCB 5mm
- 4.Standard lengths:0.5m,1m,1.5m,2m, 2.45m
- 5.SPM Design - power circuit protection to cut off individual LEDs when mal-functioned.
6. Other options : dimmable & color temperature change



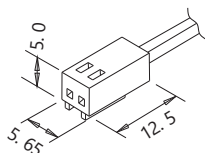
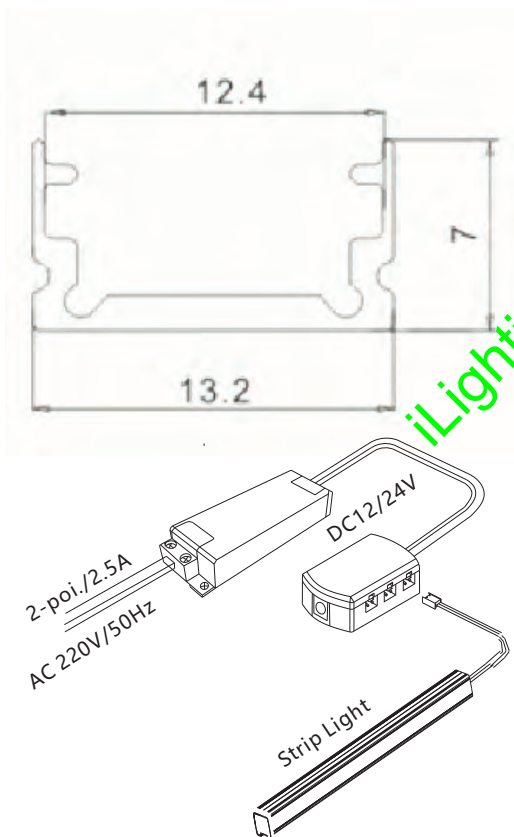
### Application:

- \* Kitchen cabinet
- \* Bathroom cabinet
- \* Closet
- \* Show cabinet

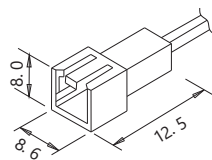
Model : CBL-A1510-S1010-109F

### Standard

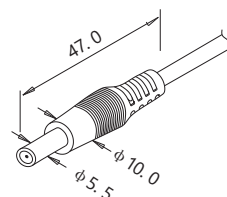
Size	15mm(W)*10mm(H)*1000mm(L)
Material	AL6063+PC
Power	10W/M
Voltage(V)	DC12V/24V
Luminous Efficacy	100lm/W
LED Type	Taiwan origin
Color Temp	2700K~6500K
CRI	> 0.93
IP Rating	IP 44
Life Time	50,000(H)
EMC	EN55015:2006+A1:2007+A2:2009 EN61547:2009



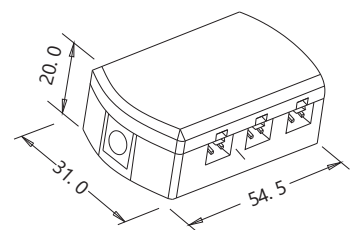
Description: male plug



Description: female socket



Description: DC male plug



Description: 6-way distributor

# LED Cabinet Light Strip

## Model :CBL-A1713-S1010-109F

### Description

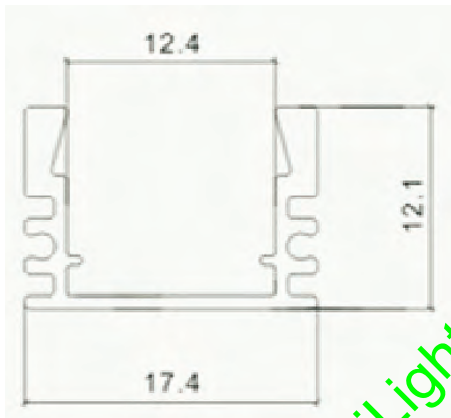
- 1.PC cover : opal, diffuse or transparent
- 2.Frame surface : silver/ white/ black
- 3.Apply : LED strips or PCB 5mm
- 4.Standard lengths:0.5m,1m,1.5m,2m, 2.45m
- 5.SPM Design - power circuit protection to cut off individual LEDs when mal-functioned.
6. Other options : dimmable & color temperature change



### Application:

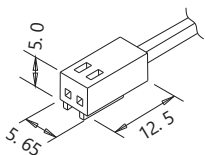
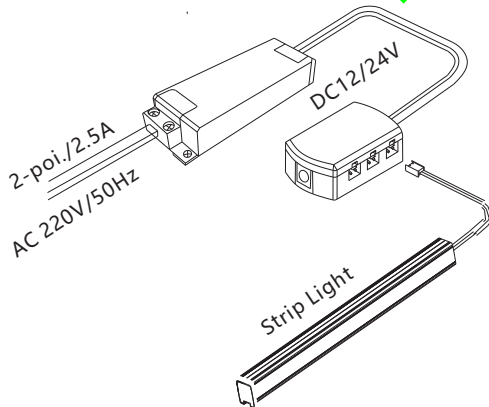
- \* Kitchen cabinet
- \* Bathroom cabinet
- \* Closet
- \* Show cabinet

Model : CBL-A1713-S1010-109F

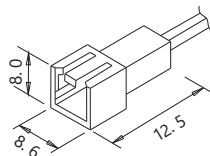


### Standard

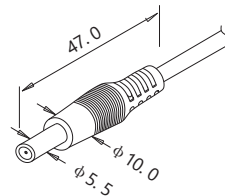
Size	17mm(W)*13mm(H)*1000mm(L)
Material	AL6063+PC
Power	10W/M
Voltage(V)	DC12V/24V
Luminous Efficacy	100lm/W
LED Type	Taiwan origin
Color Temp	2700K~6500K
CRI	> 0.90
IP Rating	IP 44
Life Time	50,000(H)
EMC	EN55015:2006+A1:2007+A2:2009 EN61547:2009



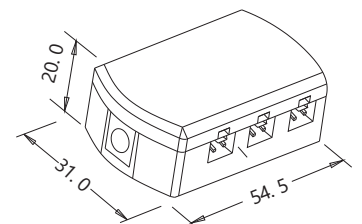
Description: male plug



Description: female socket



Description: DC male plug



Description: 6-way distributor

**Model : CBL-A2121-S560-T2121**

**Features:**

- \* Slim size 21mm(H) x 20mm(W)
- \* Exceptional even illumination ( LED spot not seen)
- \* 270 degree ( 3 - sectional) lighting output
- \* Ideal for both direct or indirect light effect
- \* Minimum cutting width < 3mm
- \* Thermal conductive plastic to maximize heat dissipation
- \* Installation in serial for seamless lighting output
- \* SPM design - Power circuit protection to cut off individual LEDs when mal-fuctioned.
- \* CRI > 93
- \* High lumen output 100lm/w
- \* other options : dimmable & color temperature change



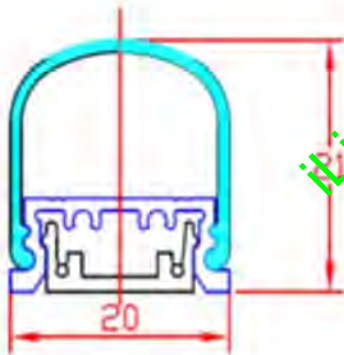
**Application:**

- \* Kitchen cabinet
- \* Bathroom cabinet
- \* Closet
- \* Show cabinet
- \* Retail chop
- \* & many other applications as appropriate

**Model : CBL-A2121-S560-T2121**

**Standards**

Standard Dim(mm)	21mm(H) *20mm(W)*560mm(L)
Material	AL6063+PC
Power (W)	8W
Voltage(V)	DC12V/DC24V
Beam angle:	270 degree
Luminous efficacy	100 lm/W
Color Temp	2700K~6500K
CRI	90
Power factor	> 0.9
Life Span (Hrs)	up to 50,000 huors
Operating Temperatuer	-20°C~45°C
IP Grade	IP 54



iLighting Global Enterprise Co Ltd

## Model : CBL-A2008-S600-F003

### Features:

- \* Slim size 7.95mm(H) x 19.8mm(W)
- \* Exceptional even illumination ( LED spot not seen)
- \* 270 degree ( 3 - sectional) lighting output
- \* Ideal for both direct or indirect light effect
- \* Minimum cutting width < 3mm
- \* Thermal conductive plastic to maximize heat dissipation
- \* Installation in serial for seamless lighting output
- \* SPM design - Power circuit protection to cut off individual LEDs when mal-functoned.
- \* CRI > 93
- \* High lumen output 100lm/w
- \* other options : dimmable & color temperature change



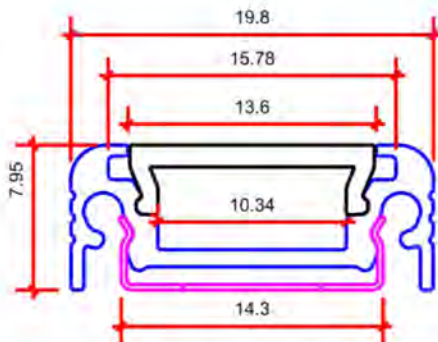
### Application:

- \* Kitchen cabinet
- \* Bathroom cabinet
- \* Closet
- \* Show cabinet
- \* Retail chop
- \* & many other applications as appropriate

## Model : CBL-A2008-S600-F003

### Standards

Standard Dim(mm)	7.95mm(H) *19.8mm(W)*570mm(L)
Material	AL6063+PC
Power (W)	8W
Voltage(V)	DC12V/DC24V
Beam angle:	270 degree
Luminous efficacy	100 lm/W
Color Temp	2700K~6500K
CRI	90
Power factor	> 0.9
Life Span (Hrs)	up to 50,000 huors
Operating Temperatuer	-20°C~45°C
IP Grade	IP 54





**Model :CBL-A1713- S570-Super**

**Features:**

- \* Slim size 13mm(H) x 17mm(W)
- \* Exceptional even illumination ( LED spot not seen)
- \* 270 degree ( 3 - sectional) lighting output
- \* Ideal for both direct or indirect light effect
- \* Minimum cutting width < 3mm
- \* Thermal conductive plastic to maximize heat dissipation
- \* Installation in serial for seamless lighting output
- \* SPM design - Power circuit protection to cut off individual LEDs when mal-fucntioned.
- \* CRI > 93
- \* High lumen output 100lm/w
- \* other options : dimmable & color temperature change

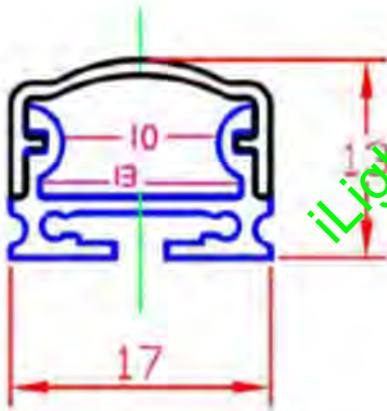


**Application:**

- \* Kitchen cabinet
- \* Bathroom cabinet
- \* Closet
- \* Show cabinet
- \* Retail chop
- \* & many other applications as appropriate

**Model : CBL-A1713- S570-Super**

**Standards**



Standard Dim(mm)	13mm(H) *17mm(W)*570mm(L)
Material	AL6063+PC
Power (W)	8W
Voltage(V)	DC24V
Beam angle:	270 degree
Luminous efficacy	100 lm/W
Color Temp	2700K~6500K
CRI	90
Power factor	> 0.9
Life Span (Hrs)	up to 50,000 huors
Operating Temperatuer	-20°C~45°C
IP Grade	IP 54

**Model : CBL-A1418-S1000-IP003**

**Features:**

- \* Slim size 18.5mm(H) x 14mm(W)
- \* Exceptional even illumination ( LED spot not seen)
- \* 270 degree ( 3 - sectional) lighting output
- \* Ideal for both direct or indirect light effect
- \* Minimum cutting width < 3mm
- \* Thermal conductive plastic to maximize heat dissipation
- \* Installation in serial for seamless lighting output
- \* SPM design - Power circuit protection to cut off individual LEDs when mal-fuctioned.
- \* CRI > 93
- \* High lumen output 100lm/w
- \* other options : dimmable & color temperature change

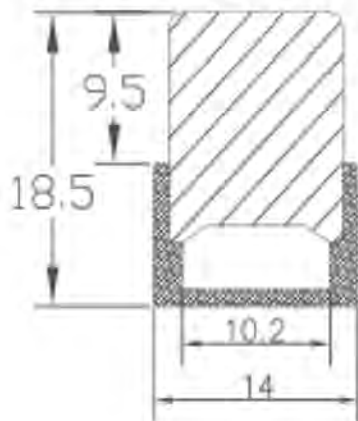


**Application:**

- \* Kitchen cabinet
- \* Bathroom cabinet
- \* Closet
- \* Show cabinet
- \* Retail chop
- \* & many other applications as appropriate

**Model : SBL-A1418-S1000-IP003**

**Standards**



Standard Dim(mm)	14mm(H) * 18.5mm(W) * 1000mm(L)
Material	AL6063+PC
Power (W)	14.4W
Voltage(V)	DC12V/DC24V
Beam angle:	270 degree
Luminous efficacy	100 lm/W
Color Temp	2700K~6500K
CRI	90
Power factor	> 0.9
Life Span (Hrs)	up to 50,000 huors
Operating Temperatuer	-20°C~45°C
IP Grade	IP 54

**Model :CBL-A1110-S560-A1110**

**Features:**

- \* Slim size 10mm(H) x 10.8mm(W)
- \* Exceptional even illumination ( LED spot not seen)
- \* 270 degree ( 3 - sectional) lighting output
- \* Ideal for both direct or indirect light effect
- \* Minimum cutting width < 3mm
- \* Thermal conductive plastic to maximize heat dissipation
- \* Installation in serial for seamless lighting output
- \* SPM design - Power circuit protection to cut off individual LEDs when mal-fuctioned.
- \* CRI > 93
- \* High lumen output 100lm/w
- \* other options : dimmable & color temperature change

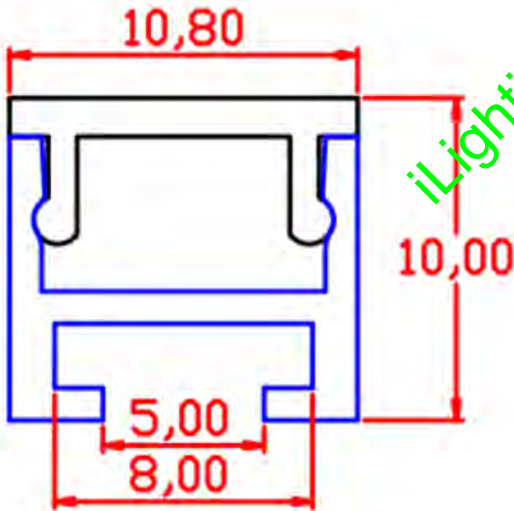


**Application:**

- \* Kitchen cabinet
- \* Bathroom cabinet
- \* Closet
- \* Show cabinet
- \* Retail chop
- \* & many other applications as appropriate

**Model : CBL-A1110-S560-A1110**

**Standards**



Standard Dim(mm)	10mm(H) *10.8mm(W)*560mm(L)
Material	AL6063+PC
Power (W)	7.9W
Voltage(V)	DC24V
Beam angle:	270 degree
Luminous efficacy	100 lm/W
Color Temp	2700K~6500K
CRI	90
Power factor	> 0.9
Life Span (Hrs)	up to 50,000 huors
Operating Temperatuer	-20°C~45°C
IP Grade	IP 54

**Model :CBL-A0908-S1000-A1008**

**Features:**

- \* Slim size 8.35mm(H) x 9.92mm(W)
- \* Exceptional even illumination ( LED spot not seen)
- \* 270 degree ( 3 - sectional) lighting output
- \* Ideal for both direct or indirect light effect
- \* Minimum cutting width < 3mm
- \* Thermal conductive plastic to maximize heat dissipation
- \* Installation in serial for seamless lighting output
- \* SPM design - Power circuit protection to cut off individual LEDs when mal-fuctioned.
- \* CRI > 93
- \* High lumen output 100lm/w
- \* other options : dimmable & color temperature change

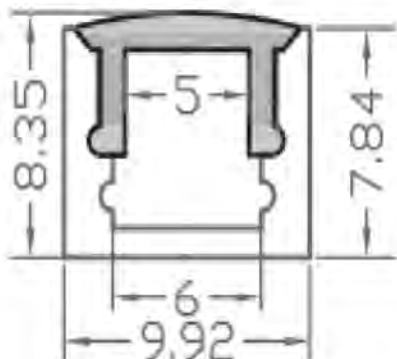


**Application:**

- \* Kitchen cabinet
- \* Bathroom cabinet
- \* Closet
- \* Show cabinet
- \* Retail chop
- \* & many other applications as appropriate

**Model : CBL-A0908-S1000-A1008**

**Standards**



Standard Dim(mm)	8.35mm(H) *9.92mm(W)*1000mm(L)
Material	AL6063+PC
Power (W)	14.4W
Voltage(V)	DC12V/DC24V
Beam angle:	270 degree
Luminous efficacy	100 lm/W
Color Temp	2700K~6500K
CRI	90
Power factor	> 0.9
Life Span (Hrs)	up to 50,000 huors
Operating Temperatuer	-20°C~45°C
IP Grade	IP 54

## Model : CBL-A0811-S1000-IP002

### Features:

- \* Slim size 8.91mm(H) x 11.4mm(W)
- \* Exceptional even illumination ( LED spot not seen)
- \* 270 degree ( 3 - sectional) lighting output
- \* Ideal for both direct or indirect light effect
- \* Minimum cutting width < 3mm
- \* Thermal conductive plastic to maximize heat dissipation
- \* Installation in serial for seamless lighting output
- \* SPM design - Power circuit protection to cut off individual LEDs when mal-fuctioned.
- \* CRI > 93
- \* High lumen output 100lm/w
- \* other options : dimmable & color temperature change

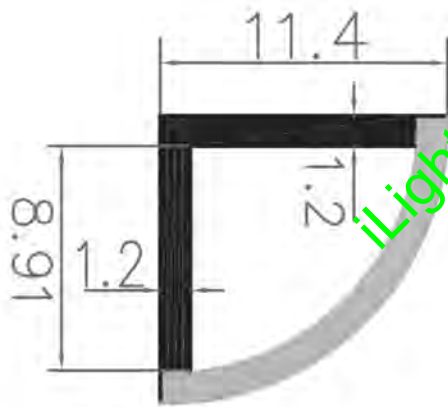


### Application:

- \* Kitchen cabinet
- \* Bathroom cabinet
- \* Closet
- \* Show cabinet
- \* Retail chop
- \* & many other applications as appropriate

**Model : CBL-A0811-S1000-IP002**

### Standards



Standard Dim(mm)	11.4mm(H) *8.91mm(W)*1000mm(L)
Material	AL6063+PC
Power (W)	14.4W
Voltage(V)	DC12V/DC24V
Beam angle:	270 degree
Luminous efficacy	100 lm/W
Color Temp	2700K~6500K
CRI	90
Power factor	> 0.9
Life Span (Hrs)	up to 50,000 huors
Operating Temperatuer	-20°C~45°C
IP Grade	IP 54