

# LED T8 DC Tube with External Driver



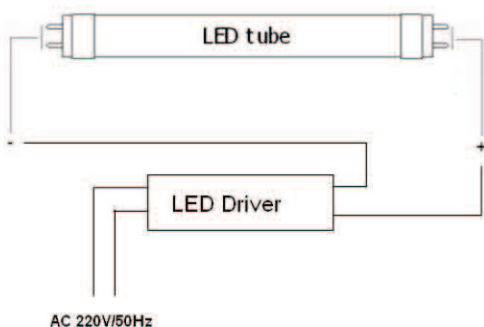
**Model : LT-R Series + LD-LT20**

**Features:**

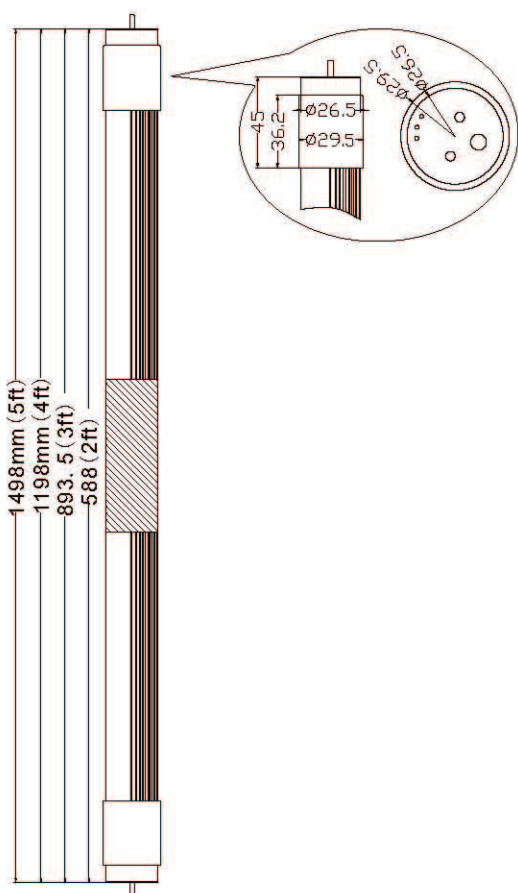
1. Uniform light emission
2. High luminous output (120 lm/W) & low power consumption
3. Retrofit to existing T8 lights on EM or electronic gear.
4. SPM Design – power circuit protection to cut off individual LEDs when mal-functioned



Model:LT-R Series



Model:LD-LT20



**Standard (DC Tube)**

Standard Dim(mm)	0.6m / Ø26.5*588mm 1.2m / Ø26.5*1198mm
Lamp Holder	G13
Material	AL6063+PC
Power (W)	LT-R06 ( 8W / 120lm/w / 960lm ) LT-R12 (14W / 120lm/w / 1680lm )
Voltage(V)	DC33-39V
Current(mA)	20W (550mA) 9W (230mA)
Beam Angle	180 degree
Luminous Efficacy	120 lm/W
Color Temp	4000K
CRI	>82
Life Span (Hrs)	up to 50,000 hours
Power Factor	>0.95
EMC	EN55015:2013+A1:2015 EN61000-3-2:2014 EN61000-3-3:2013 EN60547:2009
LVD	EN61347-1:2015 EN61347-2-13:2014

# LED T8 DC Tube with External Driver



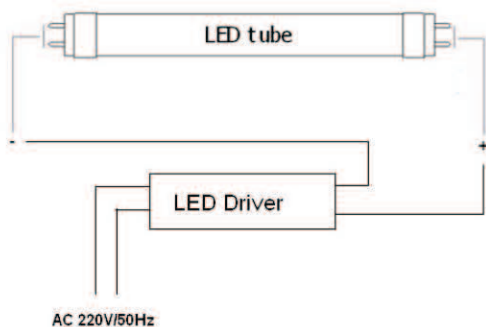
## Model : LT-R Series +LD-LT20

### Features:

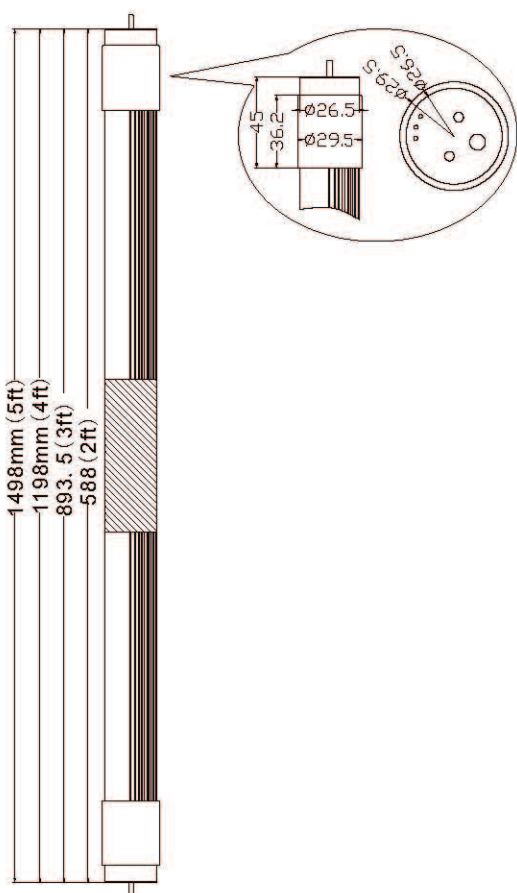
1. Uniform light emission
2. High luminous output (120 lm/W) & low power consumption
3. Retrofit to existing T8 lights on EM or electronic gear.
4. SPM Design – power circuit protection to cut off individual LEDs when mal-functioned



Model:LT-R Series



Model:LD-LT20



### Standard

Tube Dimension	∅ 26.5mm*588mm/1198mm
Voltage (V)	DC60~80V
Lamp Holder	G13
Beam Angle	180 degree
CRI	>82Ra
Luminous Efficacy	120 lm/w
Power Factor	> 0.90
Power (W)	LT-R0609-N / 8W / 120lm/w / 960lm LT-R1218-N / 14W / 120lm/w / 1680lm
Cover Material	Aluminium , PC Cover
Color Temperature	4000K
Life Time	50,000(H)
EMC	EN55015:2013+A1:2015 EN61000-3-2:2014 EN61000-3-3:2013 EN60547:2009
LVD	EN61347-1:2015 EN61347-2-13:2014

# LED T8 DC Tube with External Driver



## Model : LT-I+LD-LT40

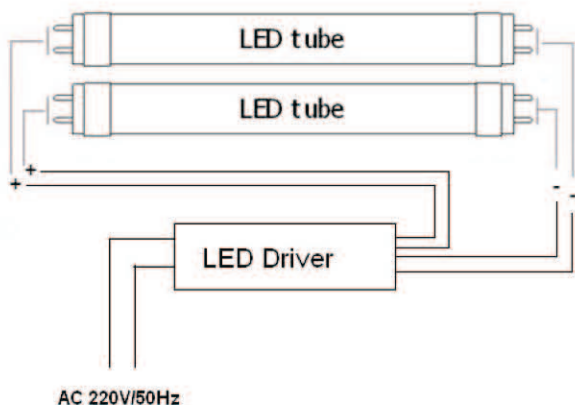
### Features:

1. Uniform light emission
2. High luminous output (100lm/W)& low power consumption
3. Retrofit to existing T8 lights on EM or electronic gear.
4. SPM Design – power circuit protection to cut off individual LEDs when mal-functioned

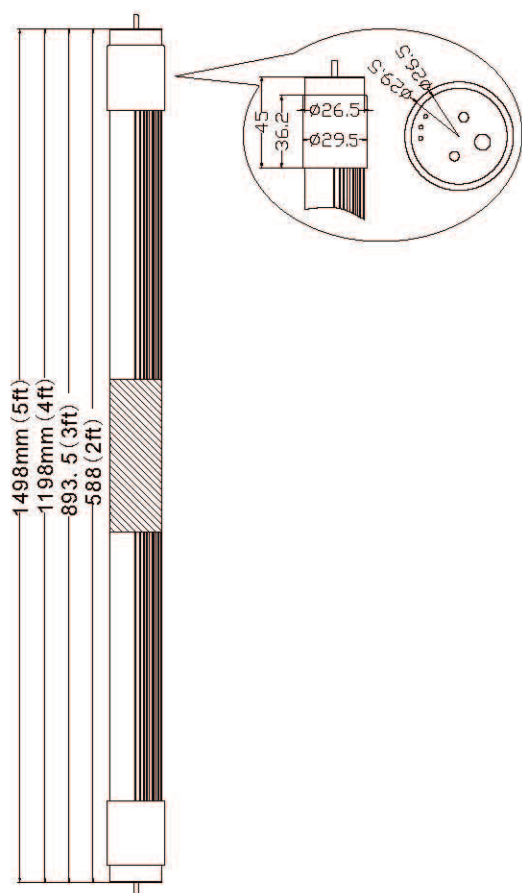


Model:LT-I0609

Model:LT-I1218



Model:LD-LT40 (1 to 2 output)



### Standard

Tube Dimension	∅ 26.5mm*588/1198mm	
Voltage (V)	DC60~80V	
Lamp Holder	G13	
Beam Angle	180 degree	
CRI	>80Ra	
Luminous Efficacy	100 lm/w	
Power Factor	> 0.90	
Power (W)	LT-I0609-N 2*9W	LT-I0912-N 2*12W
	LT-I1218-N 2*18W	LT-I1522-N 2*22W
Cover Material	Aluminium , PC Cover	
Color Temperature	2700K-6500K	
Life Time	50,000(H)	
EMC	EN55015:2013+A1:2015 EN61000-3-2:2014 EN61000-3-3:2013 EN60547:2009	
LVD	EN61347-1:2015 EN61347-2-13:2014	

# LED T8 DC Tube with External Driver



## Model : LT-I+LD-LT20

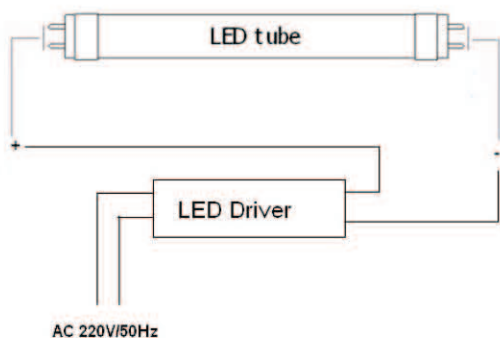
### Features:

1. Uniform light emission
2. High luminous output (100lm/W)& low power consumption
3. Retrofit to existing T8 lights on EM or electronic gear.
4. SPM Design – power circuit protection to cut off individual LEDs when mal-functioned

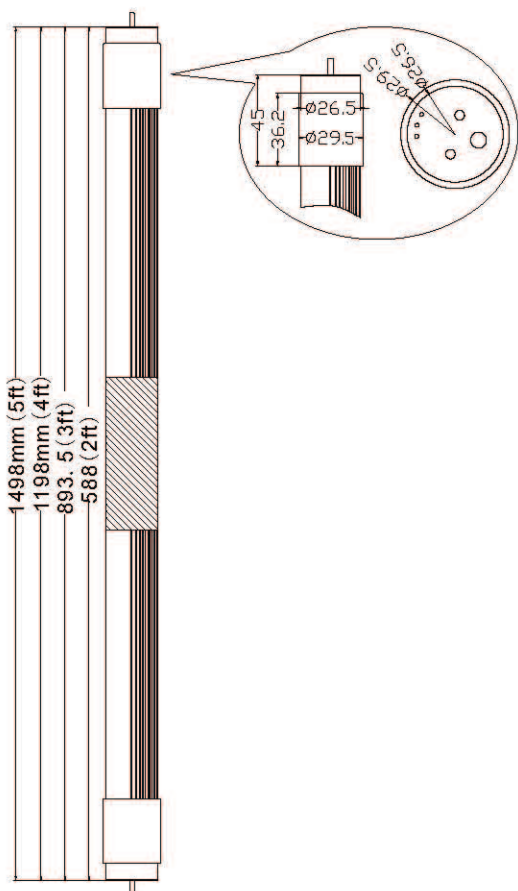


Model:LT-10609

Model:LT-11218



Model:LD-LT20 (1 to 1 output)



### Standard

Tube Dimension	∅ 26.5mm*588/1198mm	
Voltage (V)	DC60~80V	
Lamp Holder	G13	
Beam Angle	180 degree	
CRI	>80Ra	
Luminous Efficacy	100 lm/w	
Power Factor	> 0.90	
Power (W)	LT-I0609-N 9W	LT-I0912-N 12W
	LT-I1218-N 18W	LT-I1522-N 22W
Cover Material	Aluminium , PC Cover	
Color Temperature	2700K-6500K	
Life Time	50,000(H)	
EMC	EN55015:2013+A1:2015 EN61000-3-2:2014 EN61000-3-3:2013 EN60547:2009	
LVD	EN61347-1:2015 EN61347-2-13:2014	

# LED T8 DC Tube with External Driver



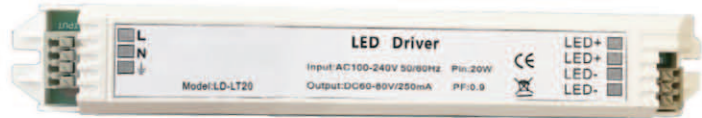
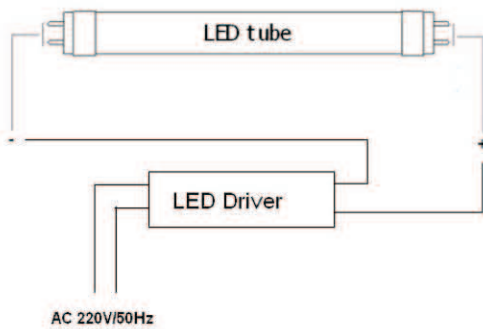
## Model : LT-R+LD-LT20-THD-FF

### Features:

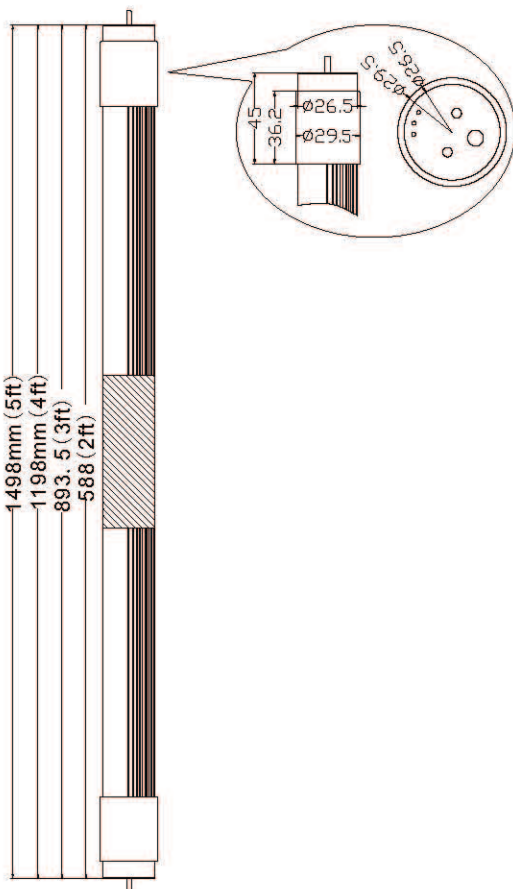
1. Uniform light emission
2. High luminous output (120 lm/W) & low power consumption
3. Retrofit to existing T8 lights on EM or electronic gear.
4. SPM Design – power circuit protection to cut off individual LEDs when mal-functioned
5. Flicker-free



Model:LT-R



Model:LD-LT20-THD-FF



### Standard (DC Tube)

Standard Dim(mm)	Ø26.5*1198mm
Material	AL6063+PC
Power (W)	20W
Voltage(V)	DC30-42V
Beam Angle	180 degree
Luminous Efficacy	120 lm/W
Color Temp	2700K-6500K
CRI	>80
Life Span (Hrs)	up to 50,000 hours
Power Factor	>0.95

### Standard (Driver)

Input(V)	AC100-240V
Output(V)	DC30-42V
Power Efficacy	87%
Power Factor	> 0.95
THD	<6.6%

# LED T8 DC Tube with External Driver



Lighting Source

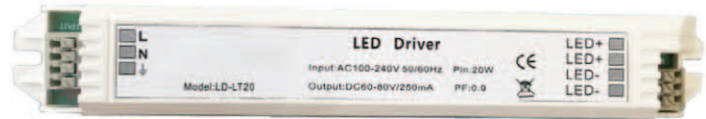
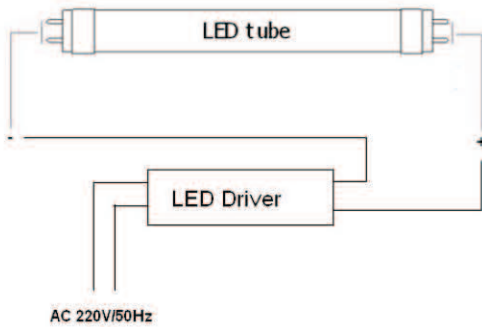
## Model : LT-R+LD-LT20

### Features:

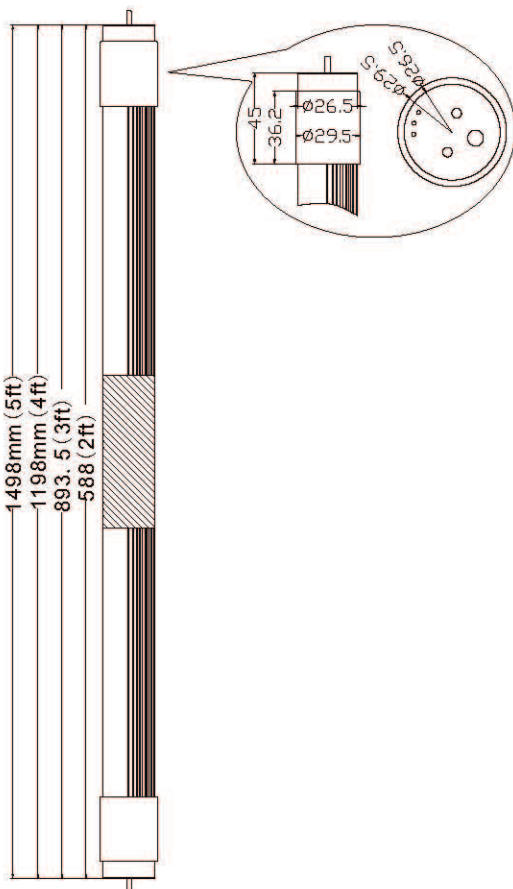
1. Uniform light emission
2. High luminous output (100 ~150 lm/W)& low power consumption
3. Retrofit to existing T8 lights on EM or electronic gear.
4. SPM Design – power circuit protection to cut off individual LEDs when mal-functioned



Model:LT-R



Model:LD-LT20



### Standard

Tube Dimension	Ø 26.5mm*588/893.5/1198/1498mm	
Voltage (V)	DC60~80V	
Lamp Holder	G13	
Beam Angle	180 degree	
CRI	>80Ra	
Luminous Efficacy	100 ~150 lm/w	
Power Factor	> 0.90	
Power (W)	LT-R0609-N 9W	LT-R0912-N 12W
	LT-R1218-N 18W	LT-R1522-N 22W
Cover Material	Aluminium , PC Cover	
Color Temperature	2700K-6500K	
Life Time	50,000(H)	
EMC	EN55015:2013+A1:2015 EN61000-3-2:2014 EN61000-3-3:2013 EN60547:2009	
LVD	EN61347-1:2015 EN61347-2-13:2014	

# LED T8 DC Tube & External Driver



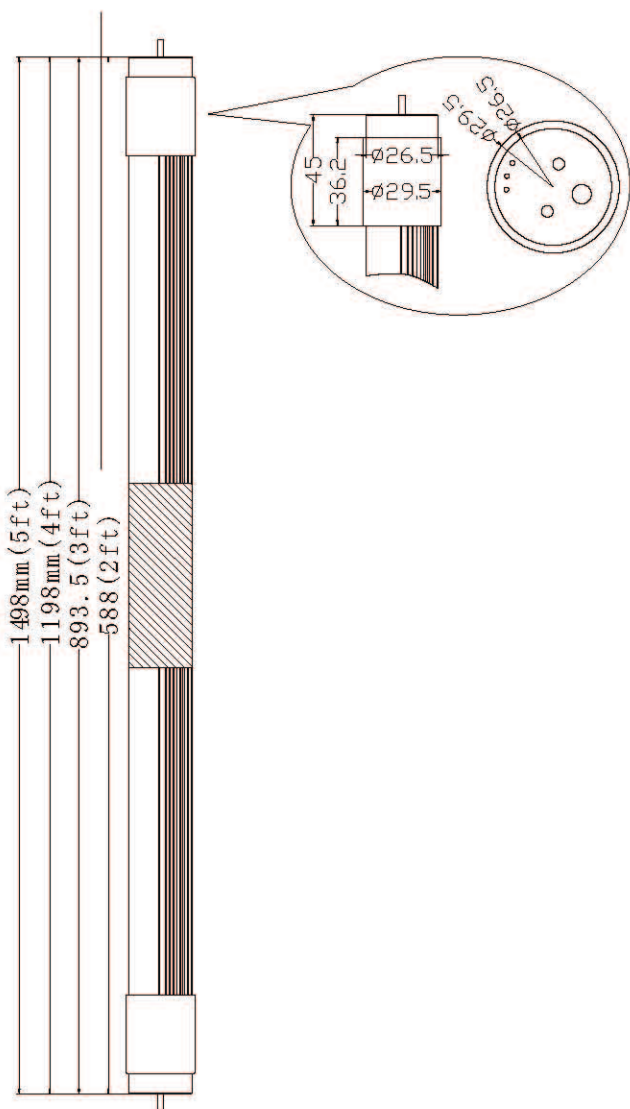
Lighting Source

## Model:2T-R1224

1. Uniform light emission.
2. High luminous output (100~150lm/W) & low power consumption.
3. SPM Design - power circuit protection to cut off individual LEDs & when mal-functioned.



Model:LT-R1224



Meaucuell:PLM-25-350

### Standard (DC Tube)

Standard Dim(mm)	Ø26.5*1198mm
Material	AL6063+PC
Power (W)	24W
Voltage(V)	DC33-39V
Beam angle:	180 degree
Luminous Efficacy	120lm/W / Total lumen 2800lm
Color Temp	2700K~6500K
CRI	>80
Life Span (Hrs)	up to 50,000 hours

### Standard (Driver)

Input(V)	110-295VAC
Output(V)	28.8~72V
Wattage	25W

# LED T5 DC Tube with External Driver



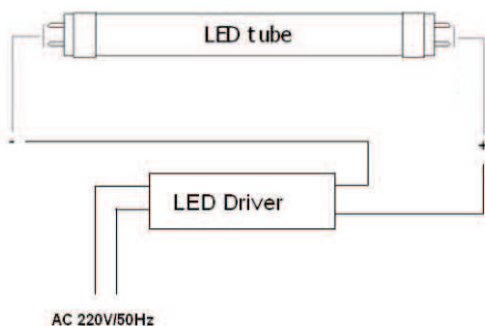
## Model : LT-R5-N+LD-LT20

### Features:

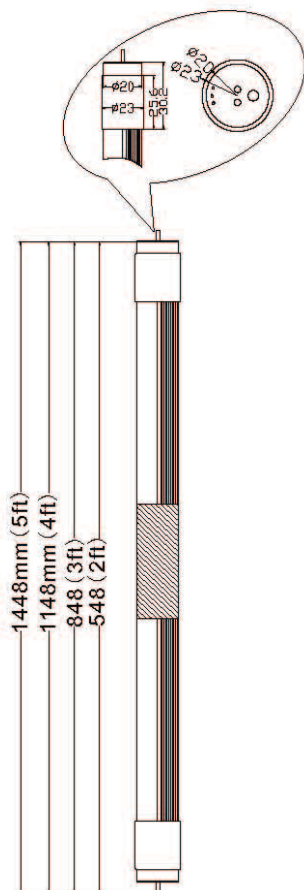
1. Uniform light emission
2. High luminous output (100 ~150 lm/W)& low power consumption
3. Retrofit to existing T5 lights on EM or electronic gear.
4. SPM Design – power circuit protection to cut off individual LEDs when mal-functioned
5. T6 tube body to achieve the best lighting effect.
6. Options: T8 tube body.



Model:LT-R5-N



Model:LD-LT20



### Standard

Tube Dimension	∅ 20mm*548/848/1148/1448mm
Voltage (V)	DC60~80V
Lamp Holder	G5
Beam Angle	180 degree
CRI	>80Ra
Luminous Efficacy	110 ~150 lm/w
Power Factor	> 0.90
Power (W)	LT-R50606-N 8W    LT-R50909-N 12W LT-R51212-N 16W    LT-R51515-N 20W
Cover Material	Aluminium , PC Cover
Color Temperature	2700K-6500K
Life Time	50,000(H)
EMC	EN55015:2013+A1:2015 EN61000-3-2:2014    EN61000-3-3:2013 EN60547:2009
LVD	EN61347-1:2015 EN61347-2-13:2014



# Dimmable LED Panel Light & 0-10V LED Dimming Driver



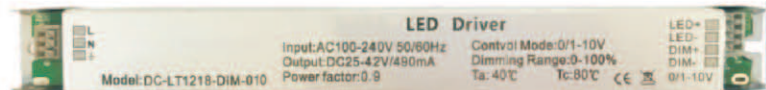
**Model:PL-PN6060**

**Features:**

- 1.Edge-lite LED panels for office & commercial application.
- 2.Suitable for installation in recessed ceilings
- 3.Uniform light emission by using optical polycarbonate
- 4.High light efficiency 120lm/W ( other option : 140/W)
- 5.Dimming control by input 0-10V

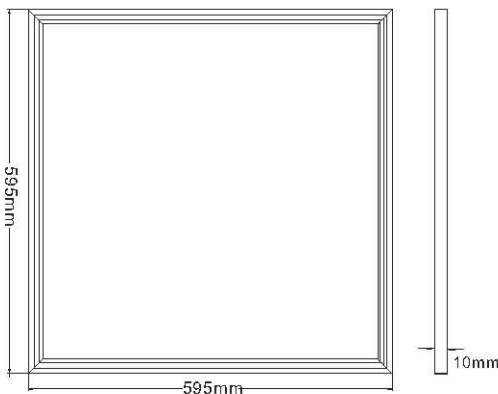


Model:PL-PN-6060



Model:DC-LT12-DIM-010

**Standards**



Model:PL-PN6060

Dimension	595*595mm	
Dimension	295*295mm	295*595mm
	295*1195mm	595*1195mm
Voltage (V)	AC100-240V	
Beam angle:	180 degree	
CRI	>80Ra	
Luminous efficacy	100lm/W 120lm/W or 140lm/W	
Power factor	> 0.90	
Power (W)	PL-PN3030 8W	PL-PN3060 18W
	PL-PN30120 36W	PL-PN6060 36W
	PL-PN60120 72W	
Input dimming signal	0-10V	
Cover Material	AL 6063	
Color Temperature	2700K-6500K	
Life Time	50,000(H)	

# Dimmable LED Panel Light & 0-10V LED Dimming Driver



## Model :PL-PN+DC-CN-48CP

### Features:

1. Edge-lite LED panels for office & commercial application
2. Suitable for installation in recessed ceilings
3. Uniform light emission by using optical polycarbonate
4. High light efficiency 120lm/W (other option: 140lm/W)
5. Dimming interface : 0-10V Dim
6. Dimming range from 0-100%



Model :PL-PN



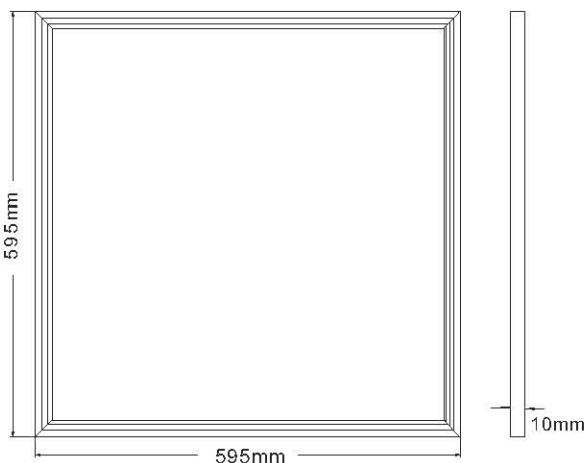
Model :DC-CN-48CP

### Standard (panel light)

Dimension	595*595mm
Other option	295*295mm    295*595mm 295*1195mm    595*1195mm
Voltage (V)	AC85-265V
Lamp Holder	AC Terminal Connector
Beam Angle	180 degree
CRI	>80Ra
Luminous Efficacy	100 lm/W    120lm/W or 140lm/W
Power Factor	> 0.90
Power (W)	PL-PN0303 8W    PL-PN0306 18W PL-PN0312 36W    PL-PN0606 36W PL-PN0612 72W
Cover Material	AL 6063
Color Temperature	2700K-6500K
Life Time	50,000(H)

### Standard (driver)

Input(V)	AC85-265V
Output(V)	DC30-42V
Power Efficacy	87%
Power (W)	40W-72W
Power Factor	> 0.95
THD	<15%



Model:PL-PN0606

# LED External Driver



**Model : LD-LT20**

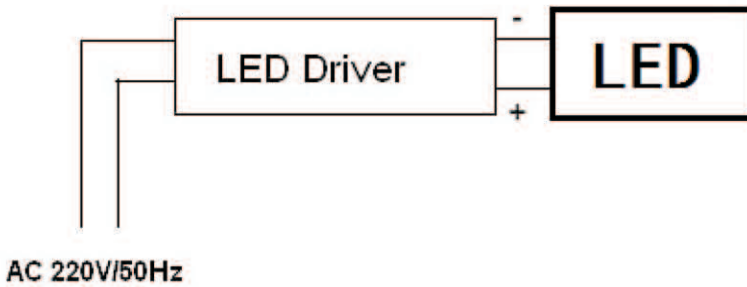
**Model : LD-LT40**

## Features:

1. Compliant with Safety Extra Low Voltage Standard
2. Short circuit/over-temperature/over load/over voltage Protection

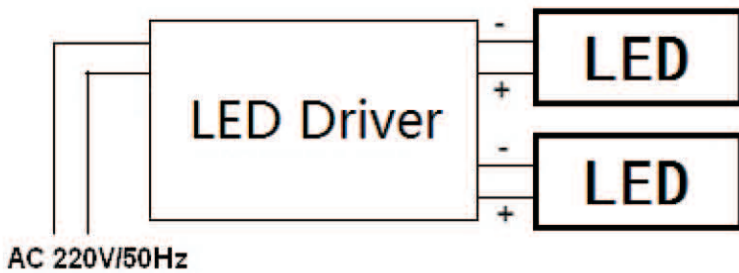


Model:LD-LT20    Model:LD-LT40



## Standard

Input Voltage:	AC100-240V
Input Frequency:	50-60Hz
Power	20W Model:LD-LT20 40W Model:LD-LT40
Power Factor	> 0.90
Output Voltage	DC25-42V
Output Current	20W - DC 550mA 40W - DC 1100mA
Power Efficiency	87%
THD	<15%
Standard size(mm)	243*30*20mm
EMC	EN 55015:2013+A1:2015 EN 61000-3-2:2014 EN 61000-3-3:2013 EN 61547:2009
LVD	EN61347-1:2015 EN61347-2-13:2014



# DC Power Supply (DC 24V adaptor)



## Model :YCZX-24-28

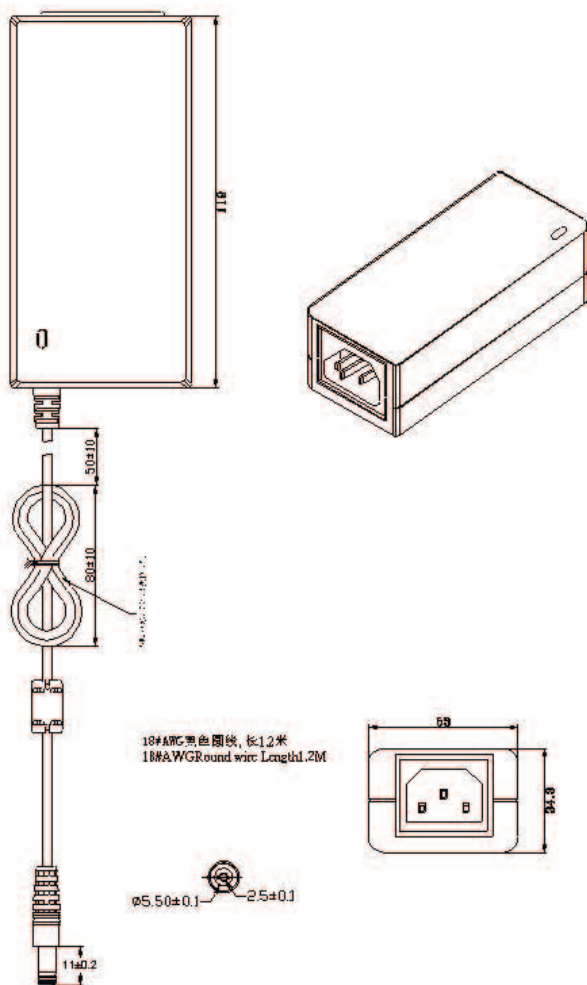
### Application

This specification defines 36W power adapter (DC 24V 1.5A) functional requirements, the power anapter transformed a AC into stable, continuous.

DC voltage output



Model :YCZX-24-28



### Specification

Input Voltage	AC100-240V/50Hz4
Output Voltage	DC24V
Output Current	1.5A
Over Voltage Protection	DC24.5-24.8A
Shot Circuit Protection	100-100mm
Over Circuit Protection	1.5A(max3A)
Hold up Time	> =3sec
Operating Temperature	-0~40°C
Operating Relative Humidity	20%-85%
Certificate	CE

# DC Power Supply(DC12V adaptor)



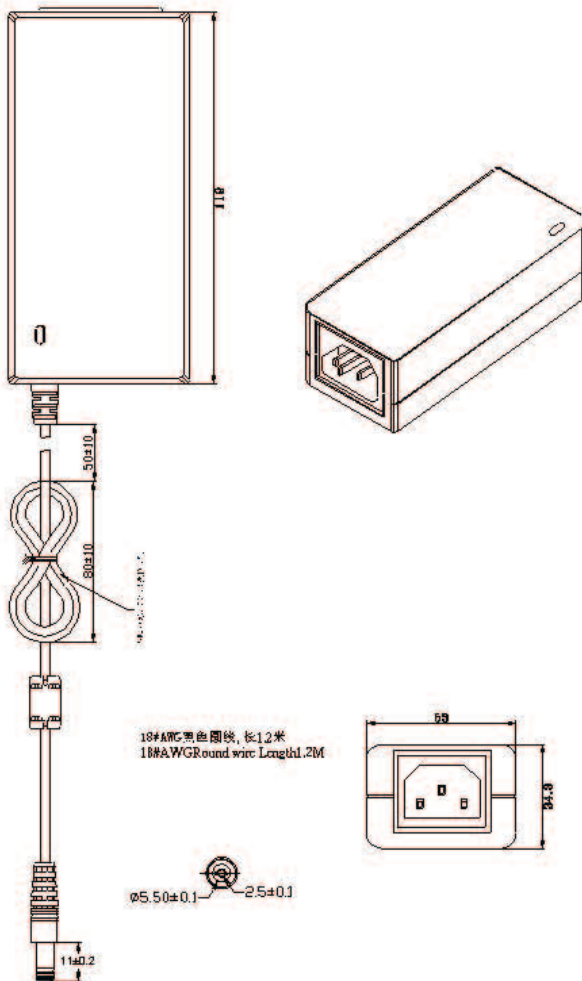
## Model :ED-1260

### Application

This specification defines 60W power adapter (DC12V 5A)functional requirements, the power anapter transformed a AC into stable,continuous. DC voltage output



Model :ED-1260



### Specification

Input Voltage	AC100-240V/50Hz
Output Voltage	DC12V
Output Current	5A
Over Voltage Protection	DC12.3-12.6A
Shot Circuit Protection	100-100mm
Over Circuit Protection	5A(max3A)
Hold up Time	> =3sec
Operating Temperature	-0~40°C
Operating Relative Humidity	20%-85%
Certificate	CE