

V-BUSTER -Air Purifying with Eye Care Lighting

Model : VB-060624-128A - Air Purifying Specifications

Medical areas: Hospital, Clinic, Postnatal Care Center, Nursery Room, Rehabilitation Center.

Anti- Viruses & Bacteria x Formaldehyde x PM 0.3 x PM 2.5
Super Prevent Indoor Infections from Air Pollutions
Safely Caring x Easy Working x Comfortable Recuperating.

School areas: Kindergarten, School, Tutorial Class Room.
Anti- Viruses & Bacteria x Formaldehyde x PM 0.3 x PM 2.5
Super Prevent Indoor Infections from Air Pollutions
Safely Caring x Easy Working x Comfortable Recuperating.

VIP areas: VIP Meeting Room, CEO Office, VIP Lounges.

Sports areas: Gym, Sports Center.

High-Standard areas: Pharmaceutical Factory, Semiconductor Manufacturing Factory.

Anti- Viruses & Bacteria x Formaldehyde x PM2.5
Super Prevent Indoor Infections from Air Pollutions
Easy Working x Comfortable Communicating x Safely Exercising

Preventive Medical Theory

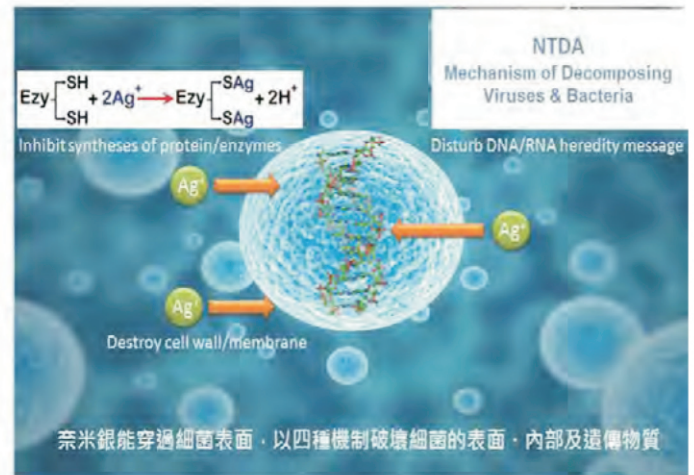
Specially Designed for Clinics, Schools,
VIP Spaces & Home Care

Active Decomposes H1N1 x Enterovirus x Bacteria

Blocking Formaldehyde x PM0.3 x PM2.5 x Fungus
x Bad Smelling

24hours Air Purification x Super Prevent Indoor Infections

Safely Caring x Easy Working x Healthy Growing
x Comfortable Recuperating



1. Interfering the synthesis of the cell wall & Damaging the cell membranes.
2. Inhibiting the protein synthesis & Interfering the nucleic acid synthesis.
3. Inhibiting reproduction ability of bacterium, Destroying metabolism & Decomposing the structure of cell membrane.
4. Viruses and bacteria are completely decomposed.

Features of TTA(NTDA) (Nano TiO2 Doped with Ag+)

- Patents: Germany, U.S.A., Japan, China & Taiwan Province.
- Tested & Certified: SGS & USA-Microbac Laboratories etc.
- 99% Active Decomposes Viruses & Bacteria without Causing Dirt Accumulation.
- Decomposed the Harmful Gases and Converted Into Non-toxic & Harmless Substances.
- Anti - Formaldehyde 、PM2.5 、TVOC & Fungus.
- Break down Bio-Waste into Hydrophilia and Carbon Dioxide.
- Pass Non-Toxic Testing: the Stem Cells of Adults & Newborns.
- Pass Non-Toxic Testing: Skin & Oral.
- Long-term effectiveness; even when the light is turned off.

Healthcare-grade TTA(NTDA) Adhesion Diffuser

+

Professional Designed Air Circulation System

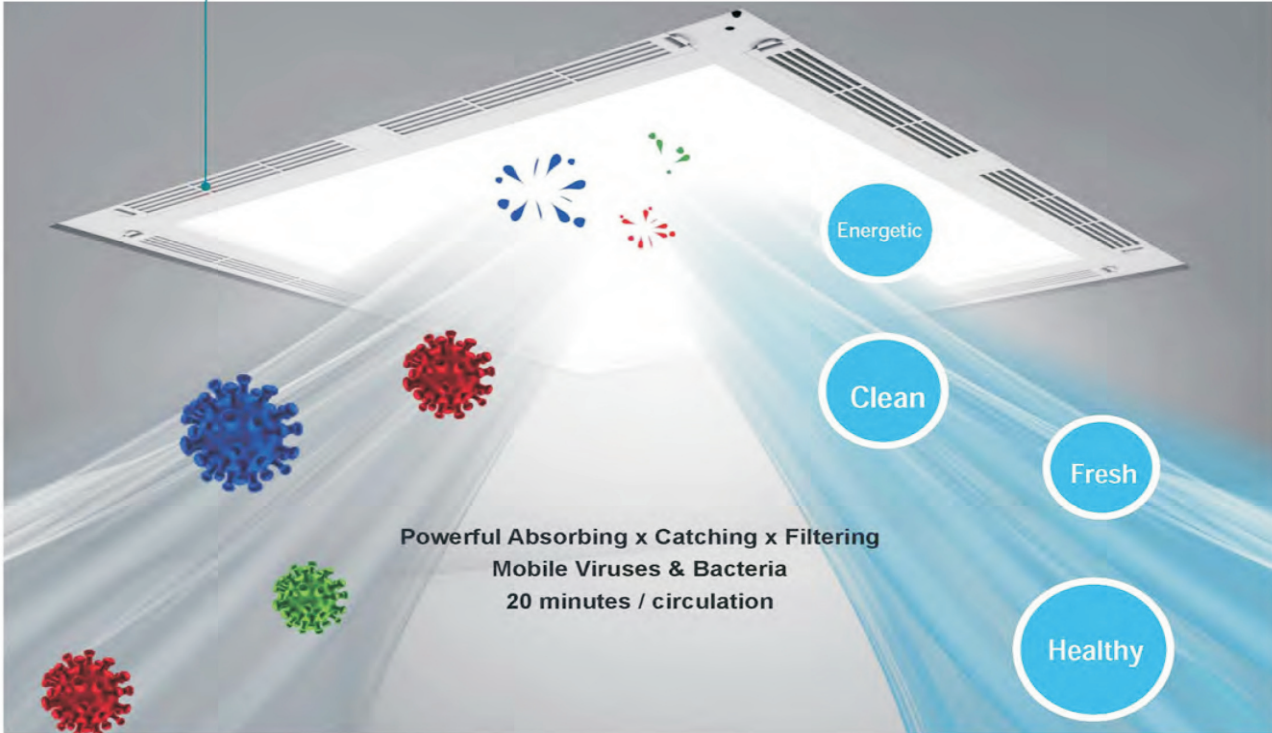
+

TTA(NTDA) Composite Filter

Lighting On: Strengthen Purifying Functions

Lighting Off: Keeps on Purifying

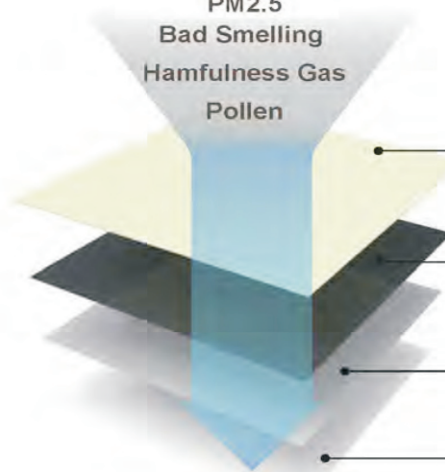
Using Harmless LED Light, Healthier Choice.



Viruses
Bacteria
Dusts
PM2.5

Bad Smelling
Hamfulness Gas
Pollen

Accuracy Folding Control Filter to Block PM10
High Prevention of Dementia & Alzheimer



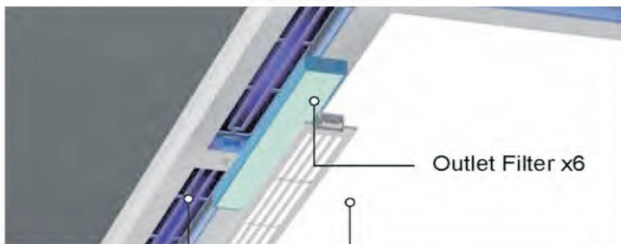
TTA(NTDA) Non-Woven Fabric
99% Active Decomposed Action

Coconut Particles Activated Carbon Layer
(Iodine value 1050/1450)

3M's PM2.5 Filter

TTA(NTDA) Non-Woven Fabric
99% Active Decomposed Action

FRESH AIR



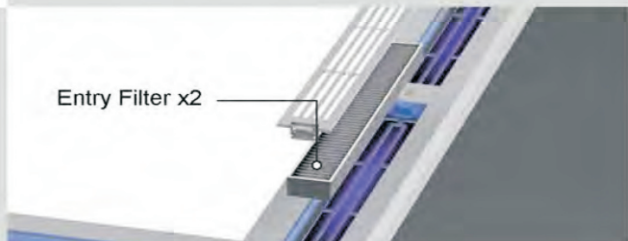
Outlet Filter x6

2x6 Full Efficiency Composite Filter
Easy to Replace x Avoiding Secondary Pollutants

Using harmless LED light.

Entry Filter x2

Internal 367nm UVA lamp, not direct exposure,
only used to stimulate the power of purification of filter's NTDA.
Harmless and Safely.

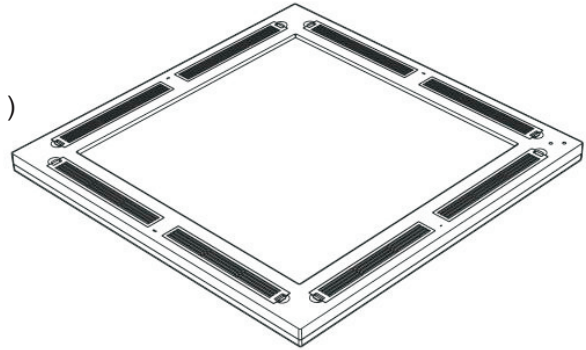


V-BUSTER - Air Purifying with Eye Care Lighting

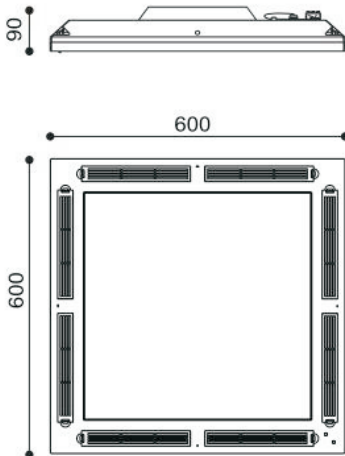
Model : VB-060624-128A - Lighting Specifications

Features:

1. Professional LED Eye-care Lighting
2. Flicking Free Lighting Design
3. No Glare - UGR < 19
4. Dimmable - 4 Step Memory mode (100%, 60% , 30% , 0%)
5. Edge-lite LED panels for office & commercial application.
6. Uniform light emission by using optical Polycarbonate.
7. High light efficiency 100lm/W (other option :120/W)
8. Emergency option available: compatible in use with most emergency battery brands & comply with part A11 of FSD regulation PPA104
9. Suitable for installation in Recessed Ceilings.



Model:VB-060624-128-A
order Code :1718.223

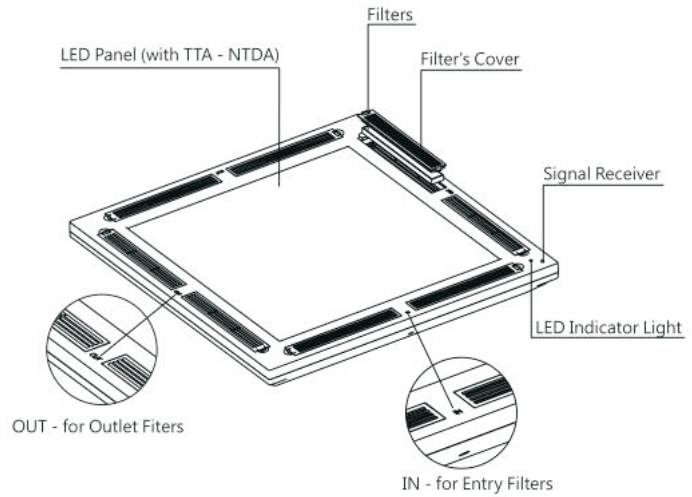
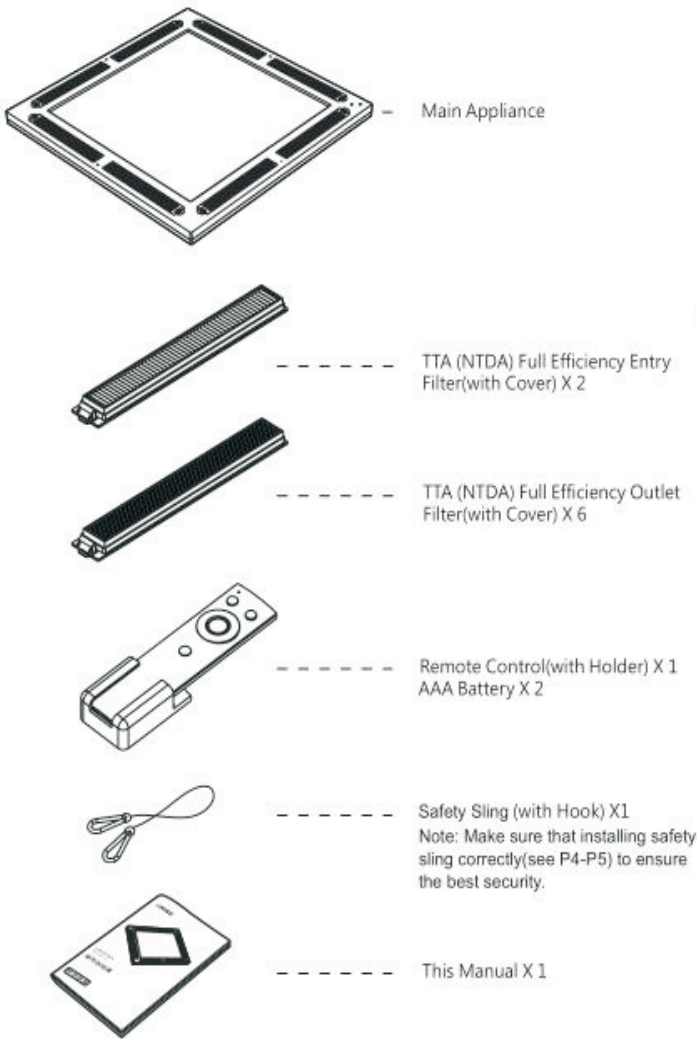


Dimension

Standard

Dimension	600*600*90mm
Voltage (V)	AC90-264V
Beam Angle:	110 degree
CRI	>80Ra
UGR	> 19
Flicking	Flicker Free
Luminous Efficacy	120lm/W
Power Factor	> 0.90
Power (W)	24.0W - 100% (2880lm) 14.4W - 60% (1728lm) 7.2W - 30% (864lm)
Cover Material	Plastic-PC VO
Color Temperature	6000K / 5000K / 4000K
Insulation	CLASS 1
Protection	IP 20
Operating temperature	0~35°C
Operating Humidity	25-80%RH
Life Time	50,000(H)

Understanding Main Appliance



Remote Control Functions



-  **【Switch On/Off】 button**
-  **【Circulation】 button**
Press the button once to turn off the light, but keep the functions of circulation and purification. Simply press the button again to turn on the light.
-  **【Dimming (Brightness)】 button**
Press and hold the button to choose the brightness you prefer.
-  **【Dimming (Dimness)】 button**
Press and hold the button to choose the dimness you prefer.
-  **【Fan Speed (Up)】 button**
Press and hold the button to increase and to choose the fan speed from 0%, 30%, 60% to 100%.
-  **【Fan Speed (Down)】 button**
Press and hold the button to decrease and to choose the fan speed from 100%, 60%, 30% to 0%.
-  **【Maintenance Mode】 button**
Must be cooperated with  to activate the function.
-  **【Set Up】 (Protection Lock) button**