

# T8 Bluetooth LED Tube

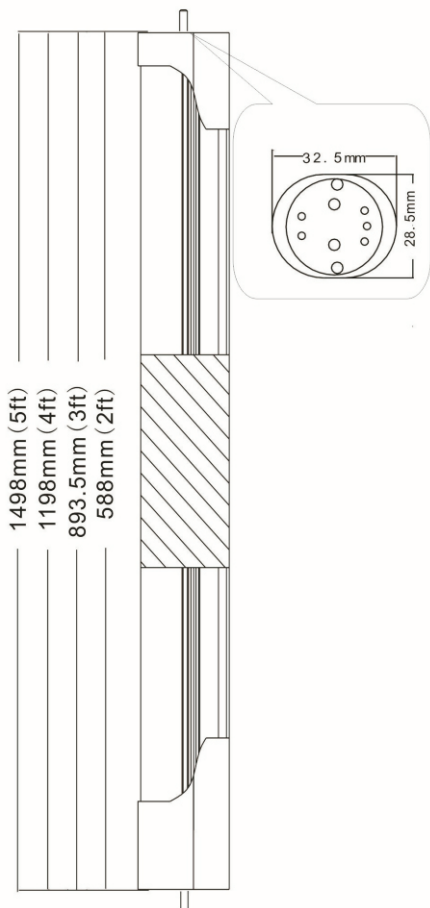
## Model : LT-I0609-BT

### Feature

1. Bluetooth adopts wireless technologies such as fast frequency hopping and time division multiple access to replace cables
2. A low-cost and low-power wireless access method is provided
3. Meanwhile, the simple and reliable implementation features of bluetooth provide a strong support for the development of its system
4. The application scope of bluetooth is very extensive, and it has been attached importance to many fields such as information appliances, mobile phones and embedded application development. In the future, information appliances will be based on Internet and home network and realize two-way transmission through wireless connection
5. It is an information product with intelligent 3C (computer, communication and consumption). In the intelligent home network, the application of bluetooth technology is very promising



Model : LT-I0609-BT



### Standard

Standard Size(mm)	Ø26.5*588mm
Material	AL6063+PC
Power (W)	9W
Voltage(V)	AC100~240V
Beam Angle	180 degree
Luminous Efficacy	130 lm/W
Color Temp	2700-6500K
CRI	>80
Power Factor	> 0.95
Dimming Signal	Bluetooth
Dimming Range	0-100%

# T8 Bluetooth LED Tube

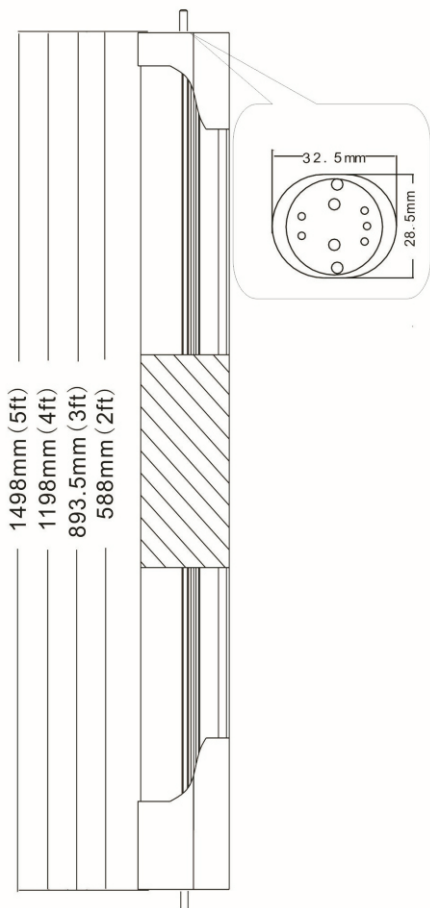
## Model : LT-I1218-BT

### Feature

1. Bluetooth adopts wireless technologies such as fast frequency hopping and time division multiple access to replace cables
2. A low-cost and low-power wireless access method is provided
3. Meanwhile, the simple and reliable implementation features of bluetooth provide a strong support for the development of its system
4. The application scope of bluetooth is very extensive, and it has been attached importance to many fields such as information appliances, mobile phones and embedded application development. In the future, information appliances will be based on Internet and home network and realize two-way transmission through wireless connection
5. It is an information product with intelligent 3C (computer, communication and consumption). In the intelligent home network, the application of bluetooth technology is very promising



Model : LT-I1218-BT



### Standard

Standard Size(mm)	Ø26.5*1198mm
Material	AL6063+PC
Power (W)	18W
Voltage(V)	AC100~240V
Beam Angle	180 degree
Luminous Efficacy	130 lm/W
Color Temp	2700-6500K
CRI	>80
Power Factor	> 0.95
Dimming Signal	Bluetooth
Dimming Range	0-100%